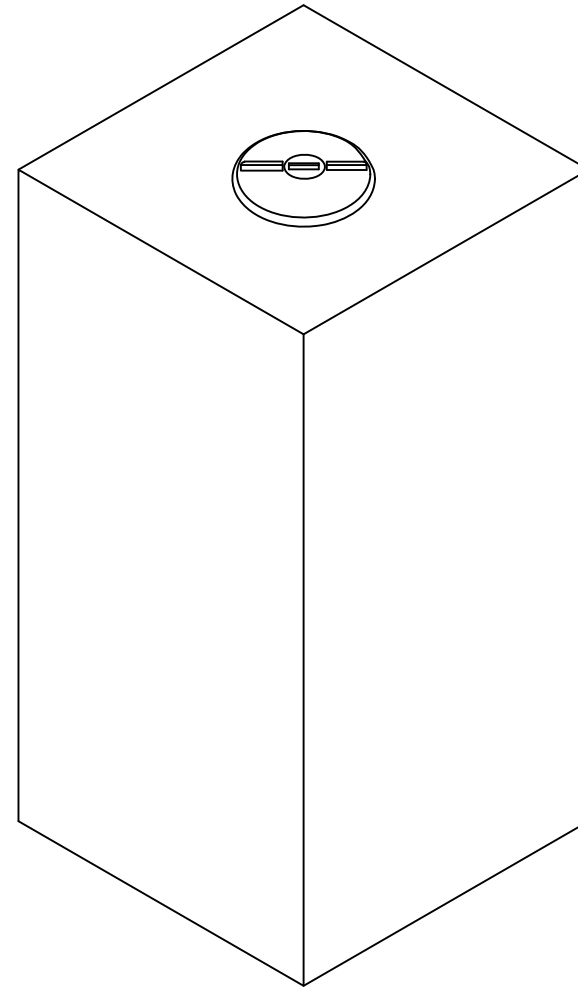
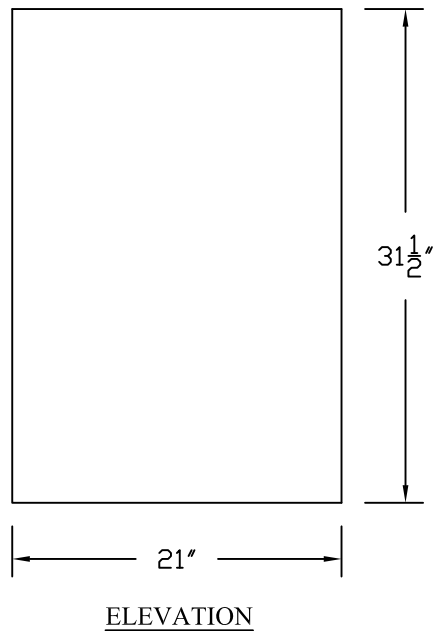
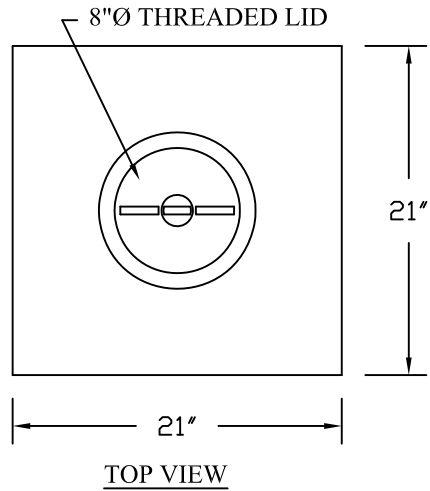


HDPLE POLYETHYLENE STORAGE TANK

MODEL RK48



TOTAL CAPACITY:

IMP.GAL. - 50

U.S.GAL. - 60

LITERS - 227



**Canwest Tanks &
Ecological Systems Ltd.**

11975 Old Yale Road Tel.: (604) 580-3030
Surrey, B.C. V3V 3X4 Fax: (604) 580-1171
Canada E-Mail: canwest@direct.ca

This drawing is loaned "as is" for purpose of information only and is the sole property of Canwest Tanks & Ecological Systems Ltd.

HDLPE POLYETHYLENE
STORAGE TANK
MODEL RK49

Dwg. No.

Drawn:

Leif J.

Scale:

1:1

Date:

Rev.

of