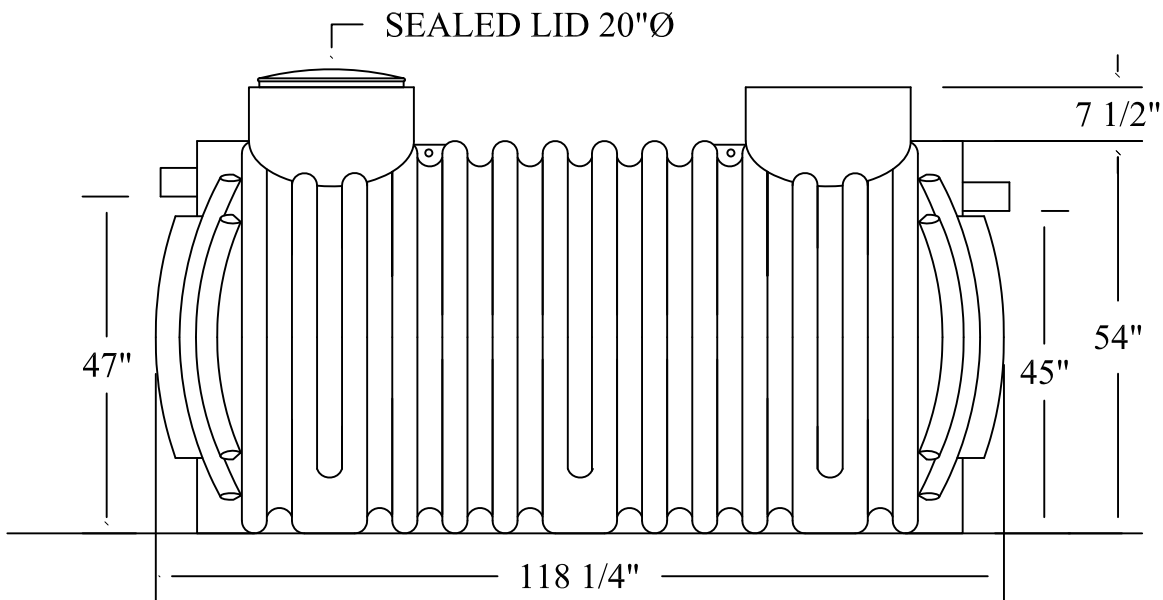
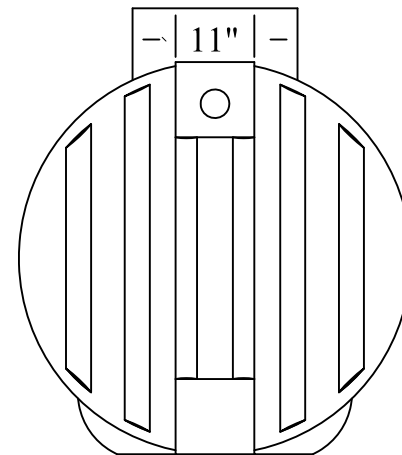


TOP VIEW



SIDE VIEW

Capacity
 Imp.Gal. 800
 U.S.Gal. 960
 Litres 3,637

MOH # 398



**Canwest Tanks &
 Ecological Systems Ltd.**

11975 Old Yale Road Tel.: (604) 580-3030
 Surrey, B.C. V3V 3X4 Fax: (604) 580-1171
 Canada E-Mail: canwest@direct.ca

This drawing is loaned "as is" for purpose of information only and is the sole property of Canwest Tanks & Ecological Systems Ltd.

Model No. RKS800
 SINGLE CHAMBER
 SEPTIC TANK

Dwg. No.

Drawn:

Leif J.

Scale:

Date:

Rev.

N.T.S.

of