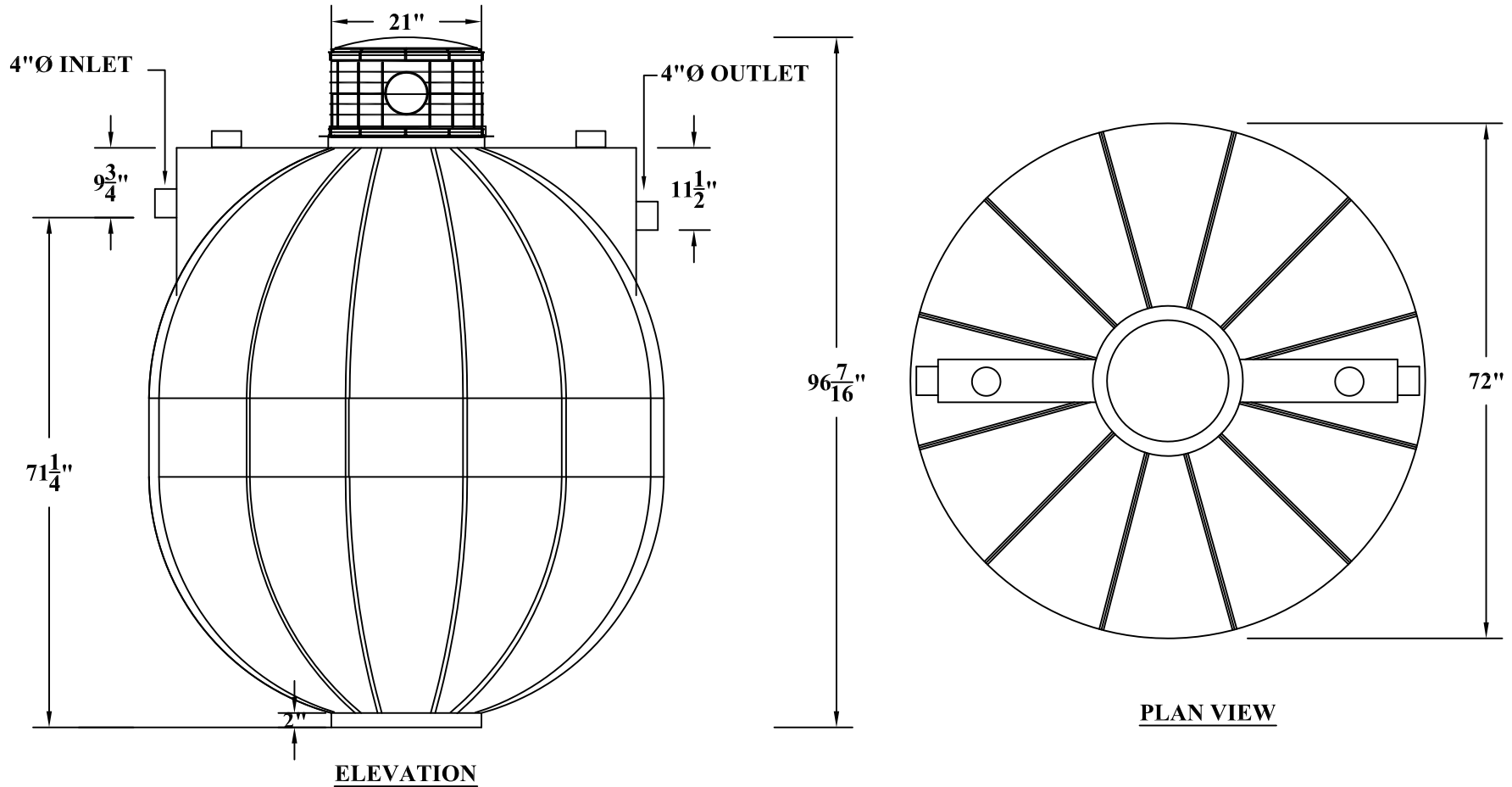


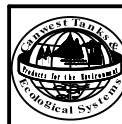
HDLPE POLYETHYLENE SEPTIC TANK
MODEL No. RKS750



MINISTRY OF HEALTH APPROVAL: No. 219

WORKING CAPACITY:

IMP. GAL.= 750
 US. GAL.= 900
 LITRES.= 3,409



Canwest Tanks & Ecological Systems Ltd.
 11975 Old Yale Road Tel.: (604) 580-3030
 Surrey, B.C. V3V 3X4 Fax: (604) 580-1171
 Canada E-Mail: canwest@direct.ca

HDLPE POLYETHYLENE
 SEPTIC TANK
 MODEL No. RKS750
 M.O.H. APPROVAL # 219

Dwg. No.		Drawn: Leif J.	of
Scale:	Date:		

This drawing is loaned "as is" for purpose of information only and is the sole property of Canwest Tanks & Ecological Systems Ltd.