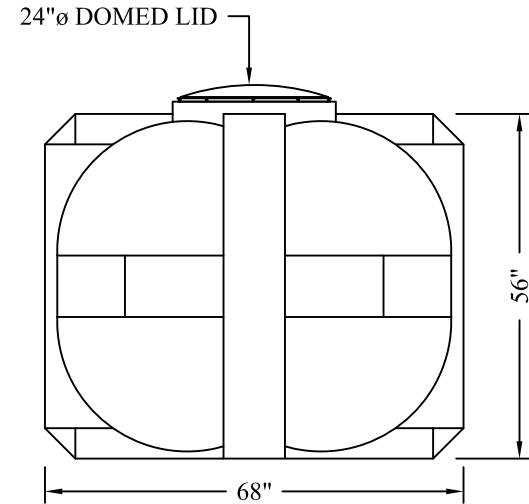
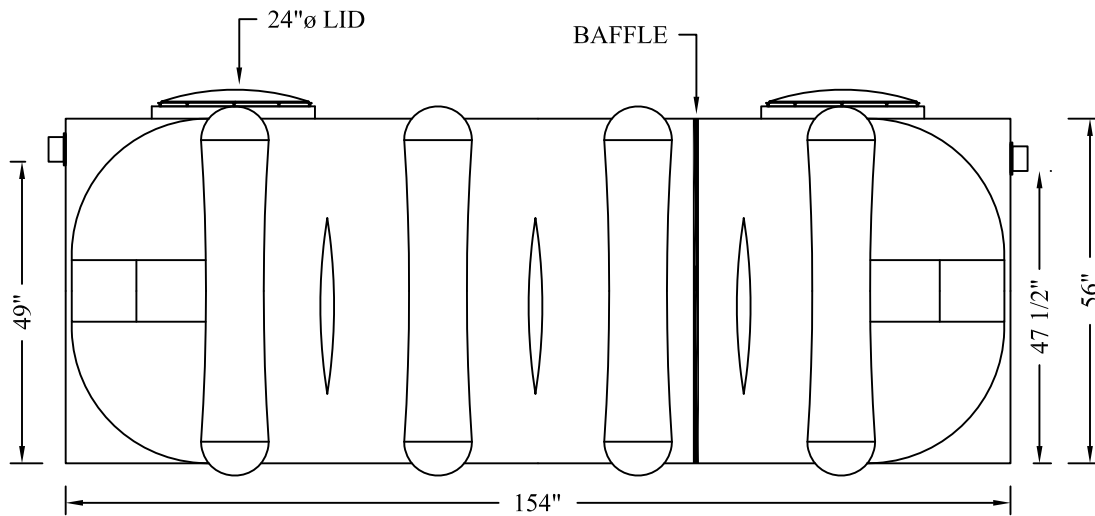



TOP VIEW



END VIEW



SIDE VIEW

NOTES:	PROJECT			
	MODEL No. RKS1400LP/2 LOW PROFILE DUAL CHAMBER SEPTIC TANK			
TOTAL VOLUME LITERS:	 CANWEST TANKS & ECOLOGICAL SYSTEMS LTD. www.canwest-tanks.com			
I.GALS:				
LENGTH METRIC (mm): IMPERIAL:				
DATE:	REV No.	SCALE:	SHEET OF	DWG REF.
DRAWN BY: L J				