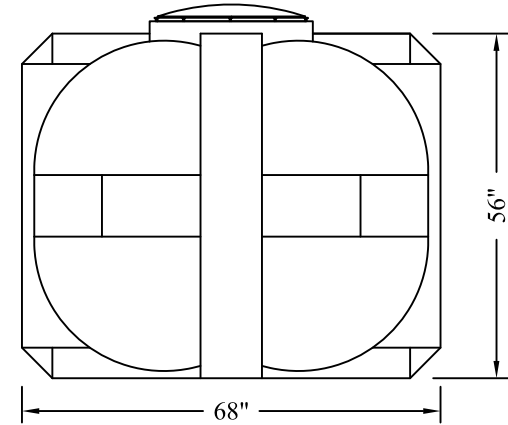
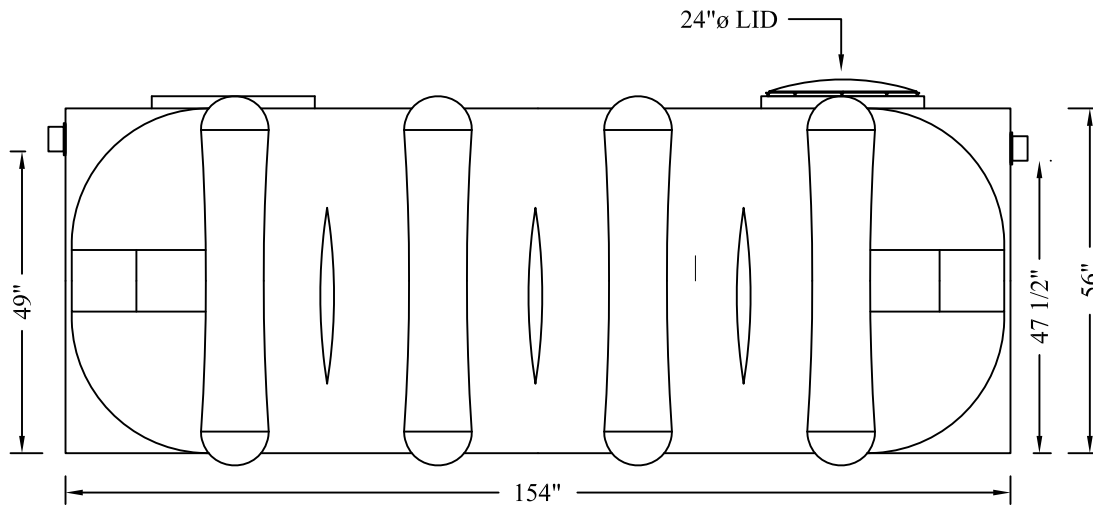


TOP VIEW




END VIEW



SIDE VIEW

MODEL No. RKS1400LP
 VOL. CAP. - 1,400 IGALS
 1,680 USGALS
 6,364 LITERS

NOTES:	PROJECT		
	MODEL No. RKC1400LP SINGLE CHAMBER SEPTIC TANK		
TOTAL VOLUME LITERS: I.GALS:			
LENGTH METRIC (mm): IMPERIAL:	 CANWEST TANKS & ECOLOGICAL SYSTEMS LTD. www.canwest-tanks.com		
DATE:	REV No.	SCALE:	SHEET OF
DRAWN BY: L J			DWG REF.