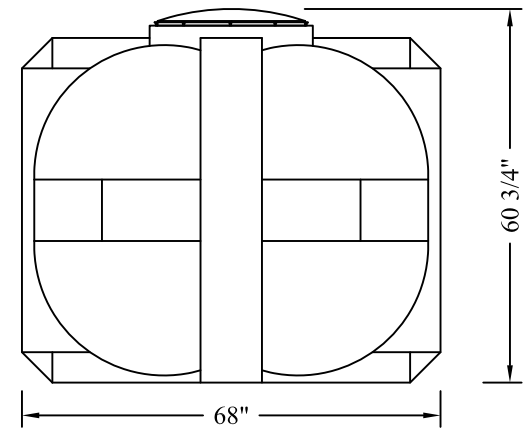
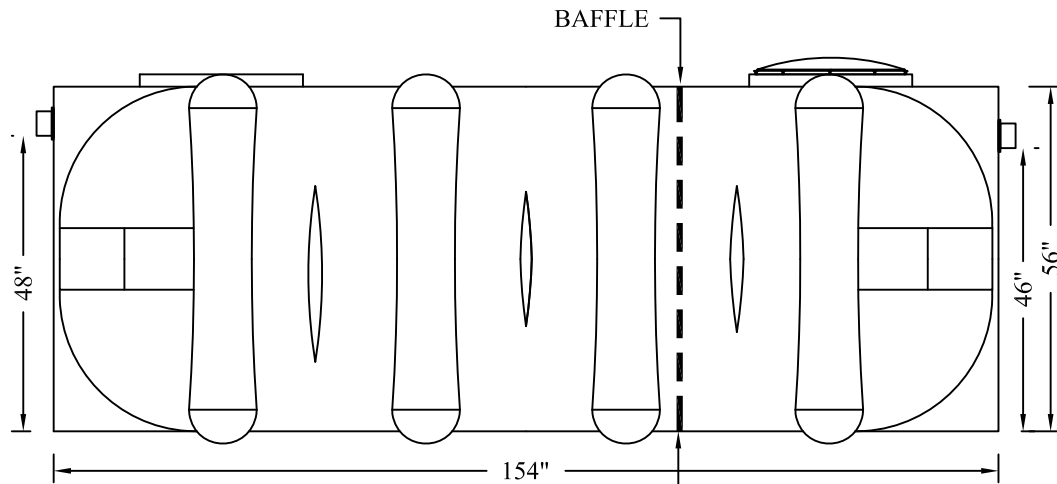


TOP VIEW



END VIEW



SIDE VIEW

TOTAL VOLUME		PROJECT		
LITERS:		<p>MODEL No. RKS1350LP/2 TWO CHAMBER SEPTIC TANK</p>		
GALS:				
DIMENSIONS:				
METRIC <input type="checkbox"/> IMP. <input type="checkbox"/>				
DIA. L. H.		<p>CANWEST TANKS & ECOLOGICAL SYSTEMS LTD. www.canwest-tanks.com Tel: 604.580.3030</p>		
DRY WEIGHT:				
DATE:				
DRAWN BY: L J	REV No.	SCALE:	DWG REF.:	SHEET OF