

HDPLE Polyethylene Pump Chamber  
Model RKP470

CAPACITY

IMP.GAL. = 400

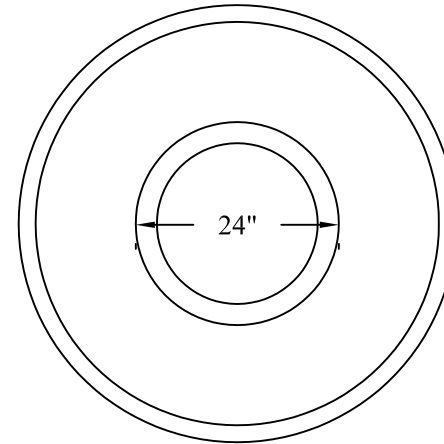
U.S.GAL. = 480

LITERS = 1,818

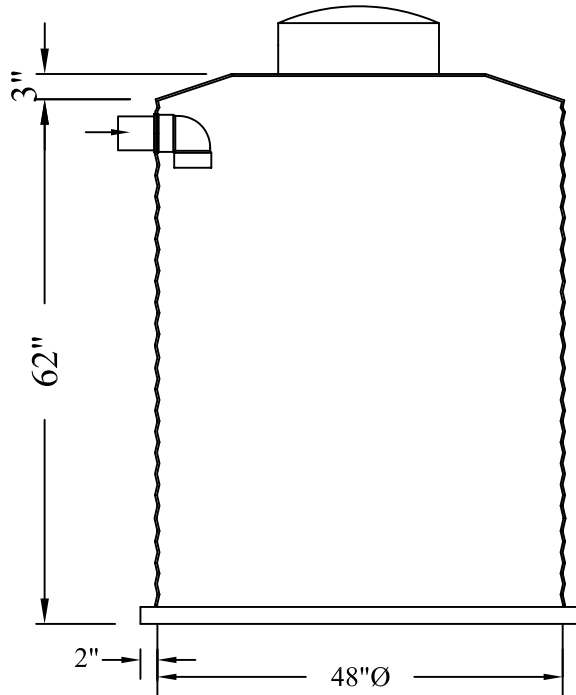
I. GALS PER INCH = 6.5

NOTES:

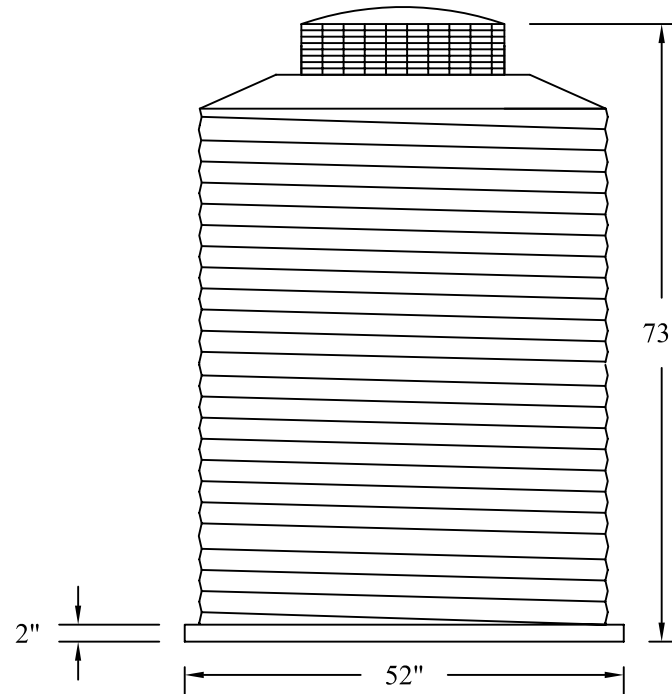
1. THIS TANKS CAN BE BURIED UP TO 2 FT. EARTHCOVER
2. FITINGS; SIZE AND ELEVATION TO BE SPECIFIED BY CUSTOMER



PLAN VIEW



ELEVATION - SECTION



ELEVATION



**Canwest Tanks &  
 Ecological Systems Ltd.**

11975 Old Yale Road Tel.: (604) 580-3030  
 Surrey, B.C. V3V 3X4 Fax: (604) 580-1171  
 Canada E-Mail: canwest@direct.ca

This drawing is loaned "as is" for purpose of information only and is the sole property of Canwest Tanks & Ecological Systems Ltd.

PUMP CHAMBER  
 MODEL RKP400

Dwg. No.		Drawn:	of
Scale:	Date:	Leif J. Rev.	