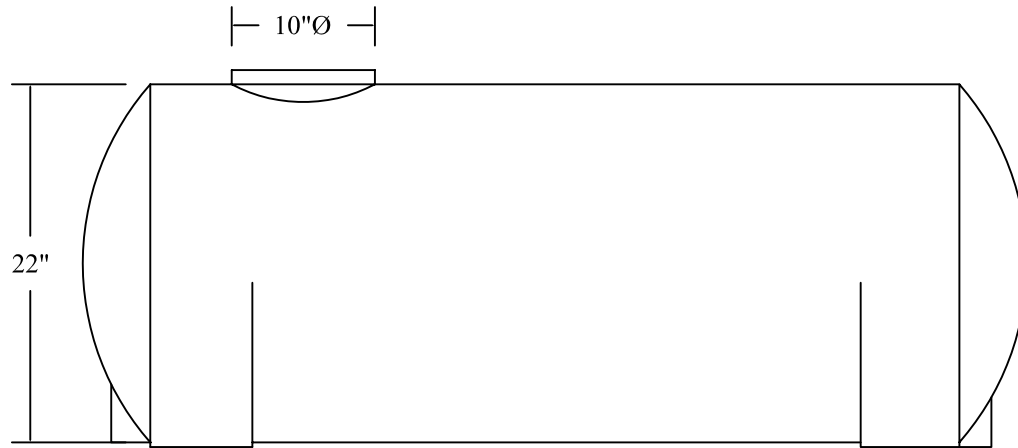
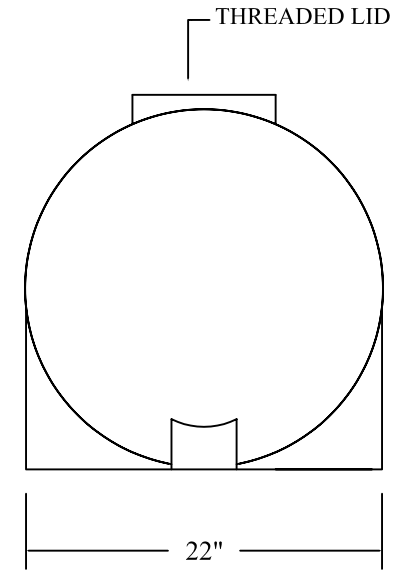


HDLPE POLYETHYLENE STORAGE TANK

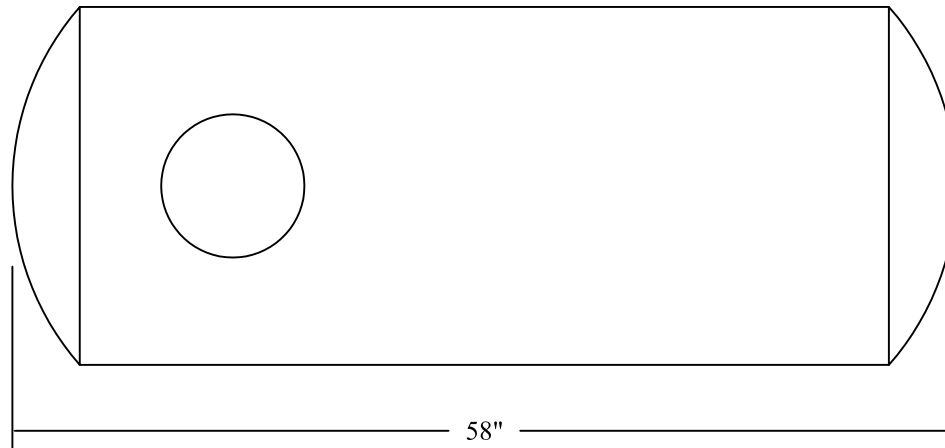
MODEL No. RKL80



ELEVATION



END VIEW



PLAN VIEW

CAPACITY:
 IMP. GAL.= 80
 US.GAL.= 96
 LITERS.= 364

NOTE:
 FITTINGS TO BE PLACED
 AS SPECIFIED BY END USER



**Canwest Tanks &
 Ecological Systems Ltd.**

11975 Old Yale Road Tel.: (604) 580-3030
 Surrey, B.C. V3V 3X4 Fax: (604) 580-1171
 Canada E-Mail: canwest@direct.ca

This drawing is loaned "as is" for purpose of information only and is the sole property of Canwest Tanks & Ecological Systems Ltd.

HDLPE POLYETHYLENE
 STORAGE TANK

MODEL No. RKL80

Dwg. No.

Scale:

N.T.S.

Date:

Drawn:

Leif J.

Rev.

of