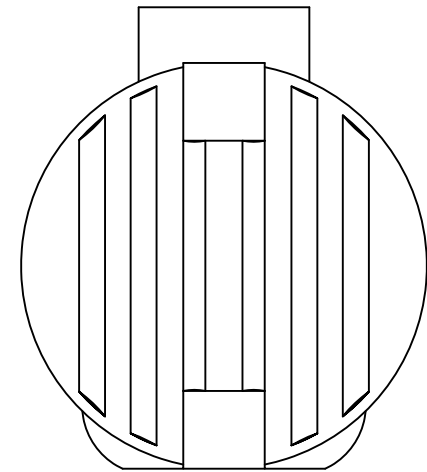
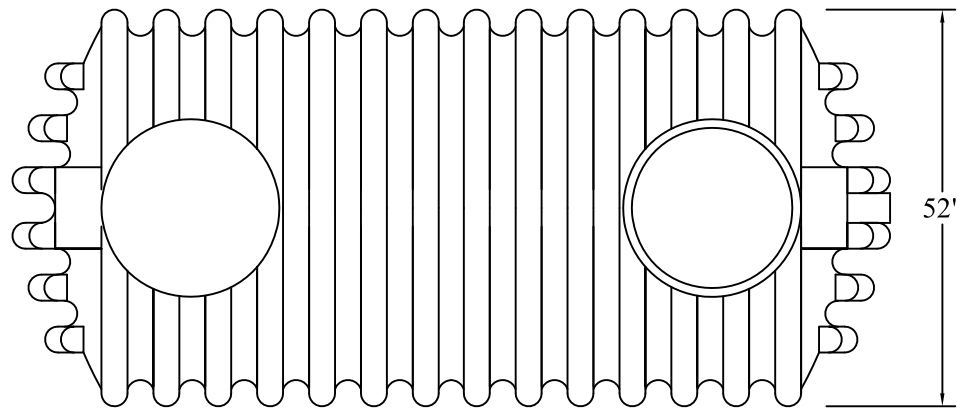


SIDE VIEW



END VIEW



TOP VIEW

BURIAL DEPTH IS 2' EARTH COVER
THE BURIAL INSTRUCTIONS MUST BE FOLLOWED

Note:

Fittings to be specified; material, elevation, & orientation,

Total Capacity

Imp.Gal.	900
U.S.Gal.	1,080
Liters	4,091

Canwest Tanks & Ecological Systems Ltd.

11975 Old Yale Road
Surrey, B.C.V3V 3X4
Canada



Tel:604.580.3030
Fax:604.580.1171
Email:canwest@direct.ca

DESCRIPTION:

Mod. No. RKC900
POLYETHYLENE HOLDING TANK
GENERAL ARRANGEMENT DRAWING

CLIENT:

PROJECT:

DWG No.

SCALE	ISSUE	D/M/Y	DWN BY:	REV.	SHEET:
N.T.S.		Jan./11	LEIF J.		