

HDPLE POLYETHYLENE STORAGE TANK

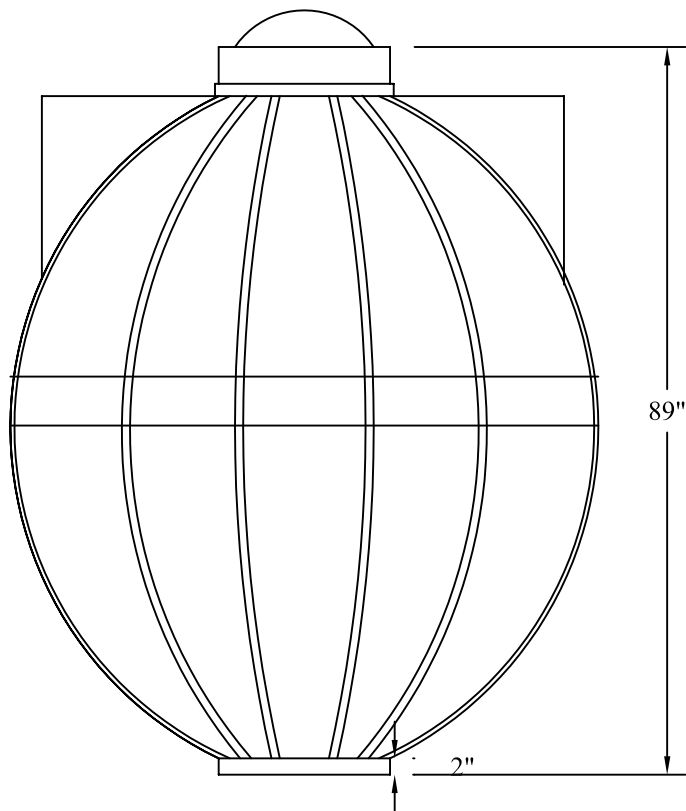
MODEL RKC860

CAPACITY:

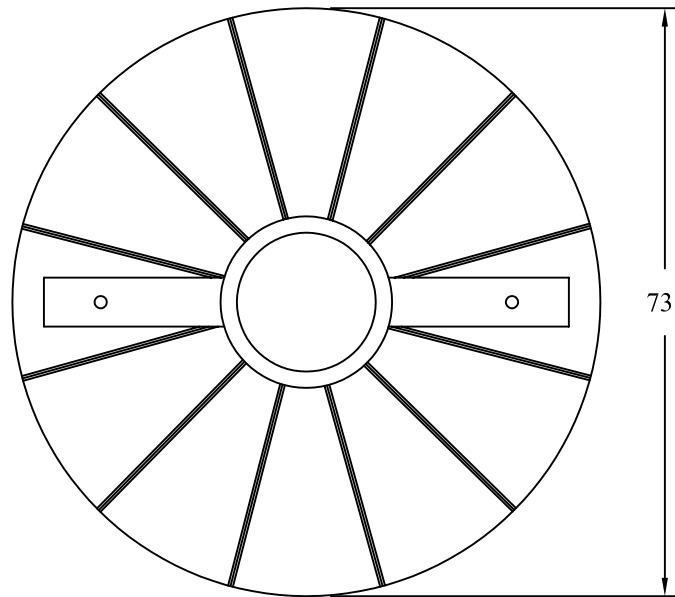
IMP. GAL.= 860

US. GAL.= 1,030

LITRES = 3,910



SIDE VIEW



PLAN VIEW

NOTES:

TANK IS FOR IN- GROUND
APPLICATIONS ONLY

FITTINGS TO BE PLACED AS
SPECIFIED BY END USER



**Canwest Tanks &
Ecological Systems Ltd.**

11975 Old Yale Road Tel.: (604) 580-3030
Surrey, B.C. V3V 3X4 Fax: (604) 580-1171
Canada E-Mail: canwest@direct.ca

This drawing is loaned "as is" for purpose of information only and is the sole property of Canwest Tanks & Ecological Systems Ltd.

HDLPE POLYETHYLENE
STORAGE TANK

MODEL RKC860

Dwg. No.

Scale:
N.T.S.

Date:

Drawn:
Leif J.

Rev.

of