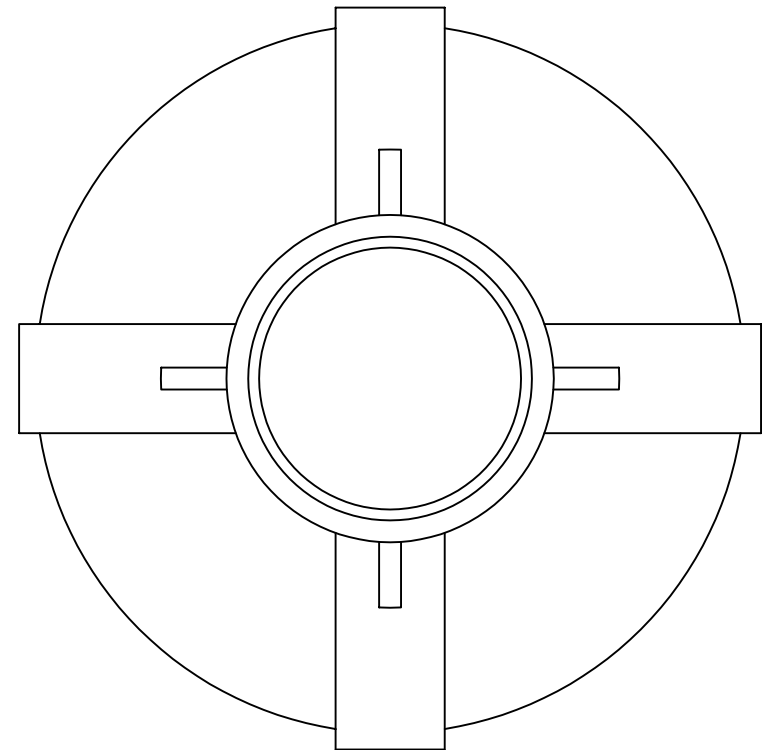
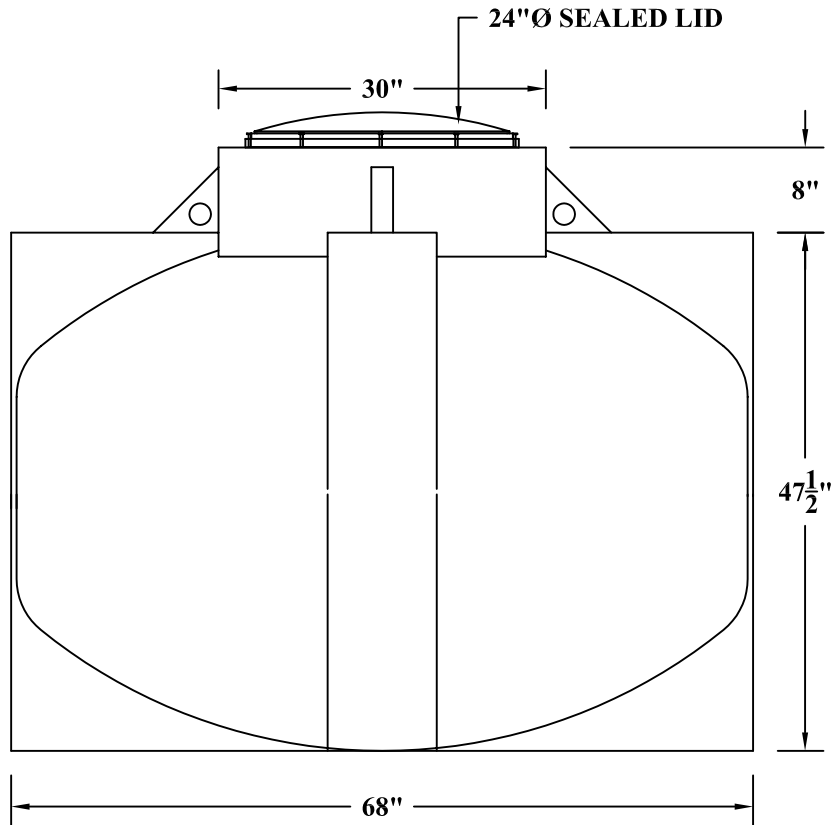


HDPLE POLYETHYLENE U.G. CHAMBER

MODEL No. RKC500



NOTE:

FITTINGS TO BE SPECIFIED

INDICATING - SIZE, ELEVATION & ORIENTATION.

CAPACITY

IMP.GAL. = 500

U.S.GAL. = 600

LTR. = 2,273



**Canwest Tanks &
Ecological Systems Ltd.**

11975 Old Yale Road Tel.: (604) 580-3030
Surrey, B.C. V3V 3X4 Fax: (604) 580-1171
Canada E-Mail: canwest@direct.ca

This drawing is loaned "as is" for purpose of information only and is the sole property of Canwest Tanks & Ecological Systems Ltd.

Model No. RKC500

**500 I gals U.G. CISTERN/
PUMP CHAMBER**

Dwg. No.

Scale:

Date:

**Drawn:
Leif J.**

Rev.

10