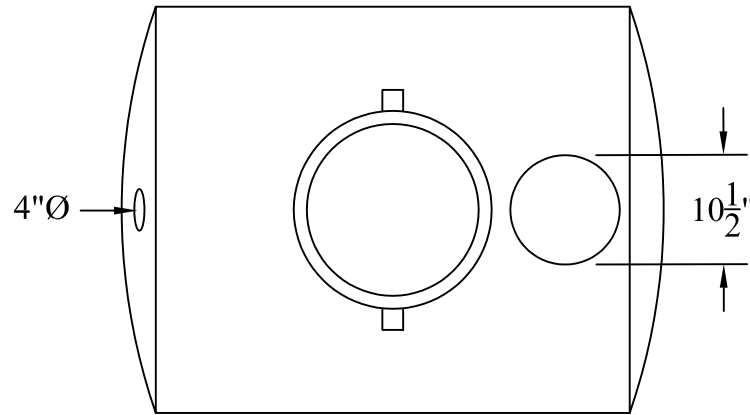


# HDPLE POYETHYLENE STORAGE TANK

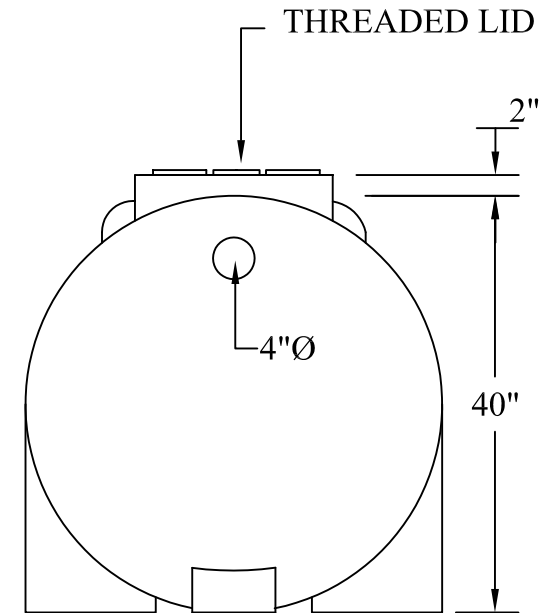
## MODEL RKC230

### CAPACITY:

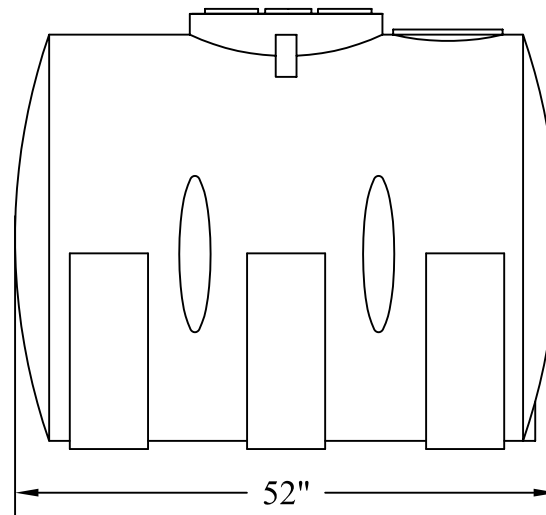
IMP. GAL.= 230  
 US. GAL.= 275  
 LITERS = 1,046



PLAN VIEW



END VIEW

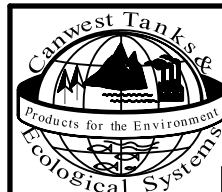


SIDE VIEW

### NOTE:

TANK IS SUITED FOR IN- GROUND APPLICATIONS

FITTINGS TO BE PLACED AS SPECIFIED BY END USER



## Canwest Tanks & Ecological Systems Ltd.

11975 Old Yale Road Ph. (604) 580-3030  
 Surrey, B.C. V3V 3X4 Fax. (604) 580-1171  
 Website: www.canwest-tanks.com E-Mail: canwest@direct.ca

This drawing is loaned with the expressed agreement that the drawing and information contained therein are the property of Canwest Tanks & Ecological Systems Ltd. and all not be reproduced, copied, disclosed to others or used directly or indirectly in the making of apparatus or parts hereof except upon written permission of Canwest Tanks & Ecological Systems Ltd. Acceptance of this drawing will be construed as acceptance of the foregoing agreement.

TITLE HDPLE POYETHYLENE STORAGE TANK  
 PROJECT MODEL RKC230

Rev.	
Scale:	N.T.S.
Date:	JAN/04
Drawn:	L.J.
Appr. By:	