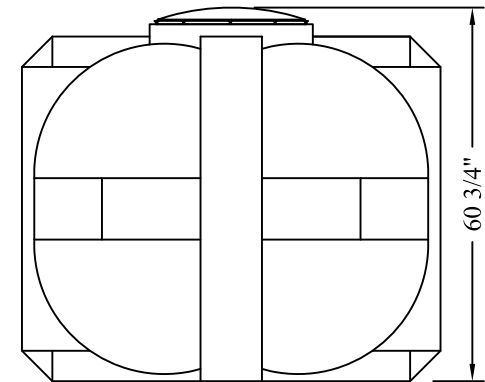
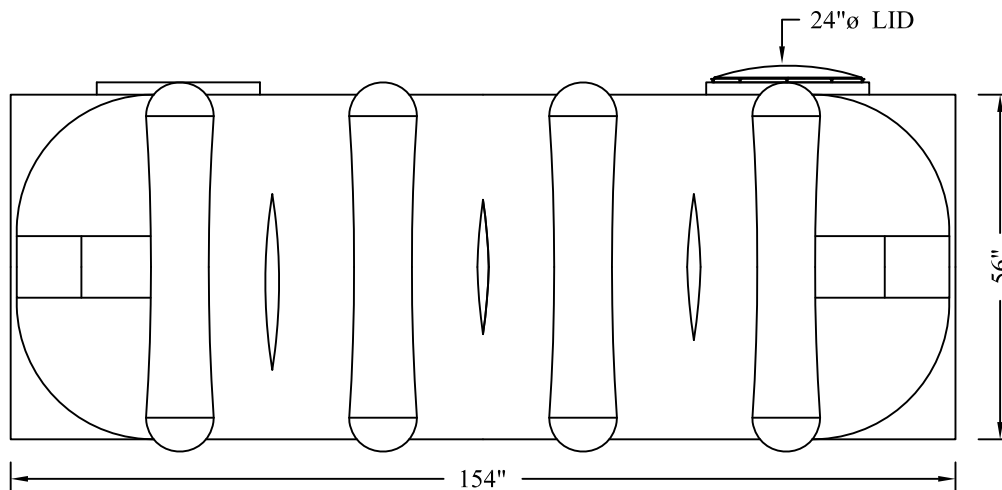


TOP VIEW




END VIEW



SIDE VIEW

VOLUME CAP.:
 1550 I.GALS
 1860 US.GALS
 7046 L.

NOTES:	<u>PROJECT</u>		
	MODEL No. RKC1550LP UNDER GROUND CISTERN/HOLDING TANK		
TOTAL VOLUME	 CANWEST TANKS & ECOLOGICAL SYSTEMS LTD. www.canwest-tanks.com		
LITERS:			
I.GALS:			
LENGHT	REV No.	SCALE:	SHEET OF
METRIC (mm):			
IMPERIAL:			
DATE:			DWG REF.
DRAWN BY: L J			