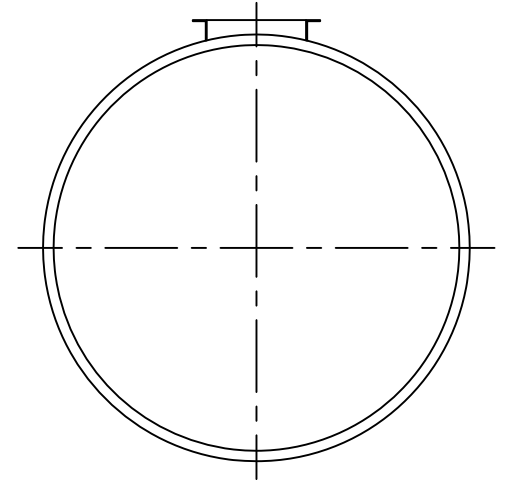
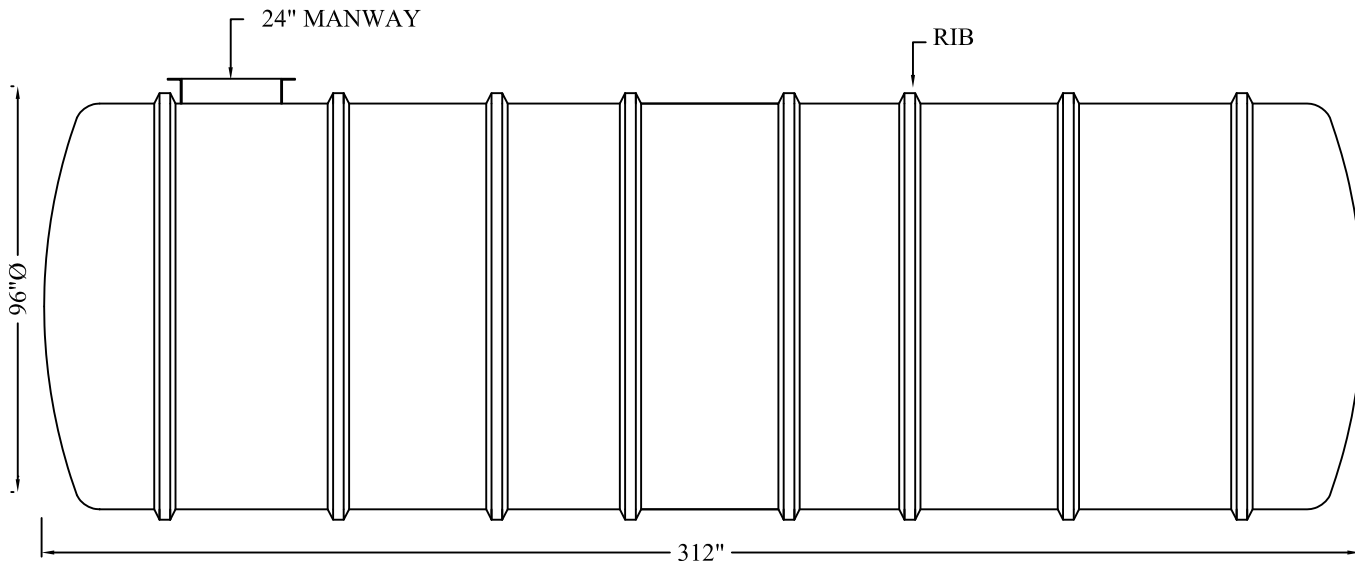


TOP VIEW




END VIEW



ELEVATION VIEW

MODEL FRP8000-8H  
 FILAMENT WOUND  
 FIBERGLASS TANK  
 VOL. CAP. 8,000 I.GALS  
 9,600 US GALS  
 36,368 LITERS

NOTES:	PROJECT			
TOTAL VOLUME				
LITERS:				
I.GALS:	 <b>CANWEST TANKS &amp; ECOLOGICAL SYSTEMS LTD.</b> www.canwest-tanks.com			
LENGTH				
METRIC (mm):	REV No.	SCALE:	SHEET OF	DWG REF.
IMPERIAL:				
DATE:				
DRAWN BY:				
L J				