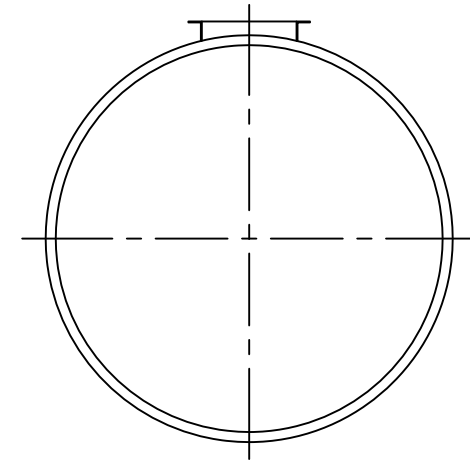
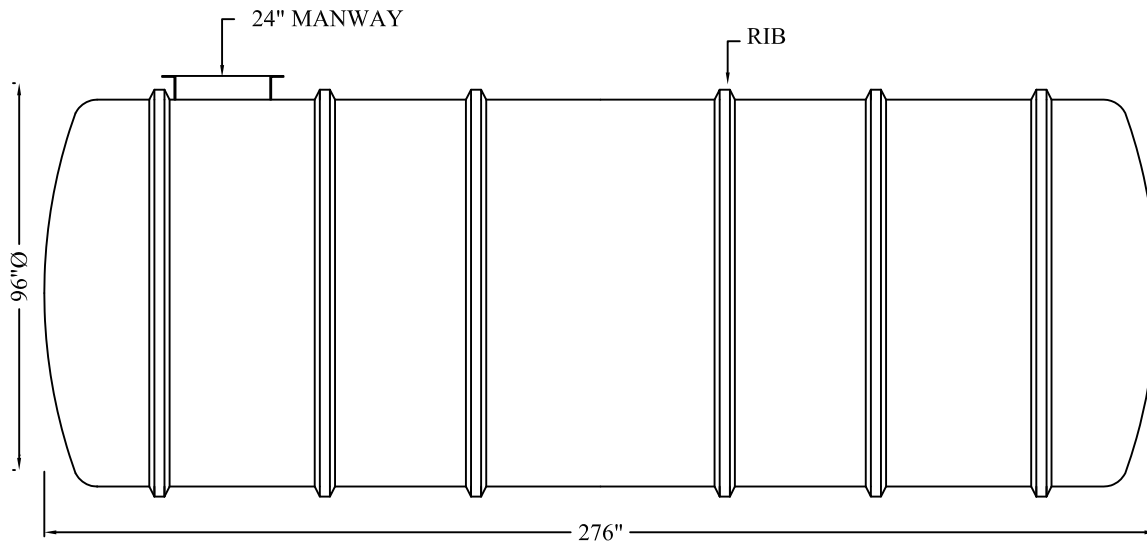


TOP VIEW



END VIEW




ELEVATION VIEW

MODEL FRP7000-8H

FILAMENT WOUND
FIBERGLASS TANK
VOL. CAP. 7,000 I.GALS
8,400 US GALS
31,822 LITERS

FILAMENT WOUND FIBERGLASS TANK OPTIONS:

1. ABOVE OR BELOW GROUND INSTALLATION
2. POTABLE OR NON POTABLE WATER
3. FIRE PROTECTION
4. SEWAGE HOLDING OR SEPTIC TANK
5. HOLD-DOWN STRAPS FOR WATER TABLE CONDITIONS
6. SIZE OF MANWAY - TO SUIT APPLICATION
7. FITTINGS - FLANGED FRP
8. HEAT TRACE & INSULATION

NOTES:	<u>PROJECT</u>			
TOTAL VOLUME LITERS: I.GALS:				
LENGTH METRIC (mm): IMPERIAL:	 CANWEST TANKS & ECOLOGICAL SYSTEMS LTD. www.canwest-tanks.com			
DATE:				
DRAWN BY: L J	REV No.	SCALE:	SHEET OF	DWG REF.