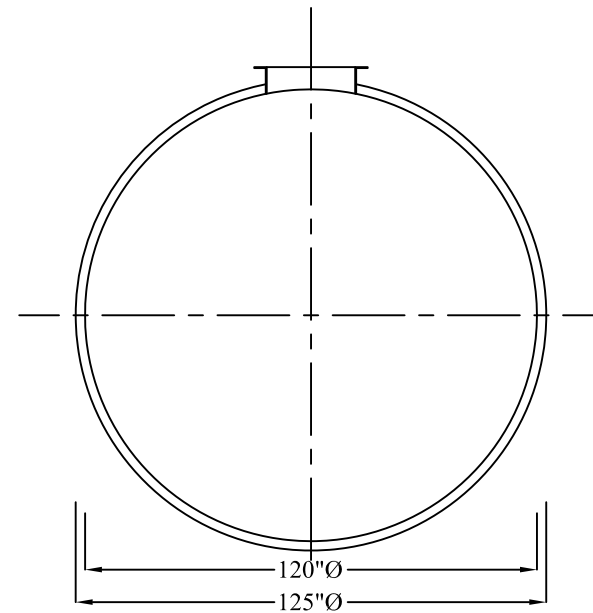
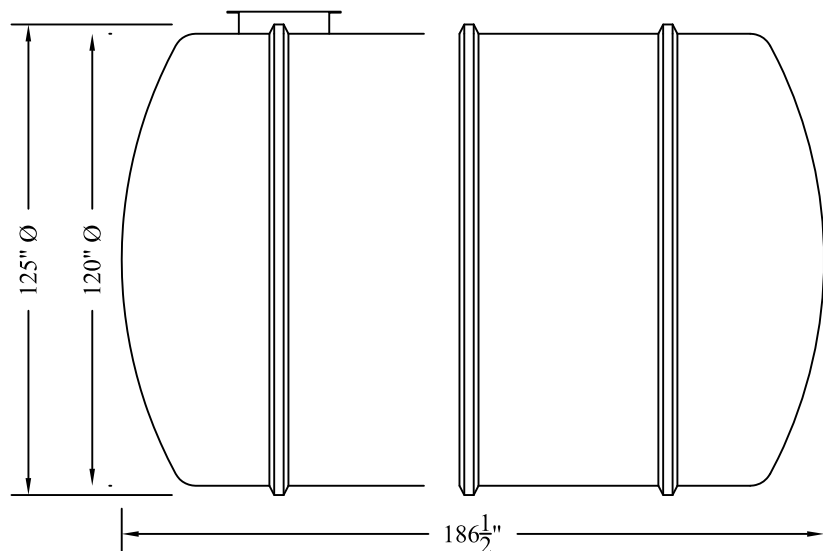


PLAN VIEW



END VIEW




ELEVATION

MODEL No. FRP7000-10H
TOT. CAP. - 7,000 gals

FILAMENT WOUND FIBERGLASS TANK OPTIONS:

1. ABOVE OR BELOW GROUND INSTALLATION
2. POTABLE OR NON POTABLE WATER
3. FIRE PROTECTION
4. SEWAGE HOLDING OR SEPTIC TANK
5. HOLD-DOWN STRAPS FOR WATER TABLE CONDITIONS
6. SIZE OF MANWAY - TO SUIT APPLICATION
7. FITTINGS - FLANGED FRP
8. HEAT TRACE & INSULATION

NOTES:	<u>PROJECT</u>			
<u>TOTAL VOLUME</u> LITERS: 31,822 I.GALS: 7,000				
<u>LENGTH</u> METRIC (mm): 3937mm IMPERIAL (FL): 15.5'	 CANWEST TANKS & ECOLOGICAL SYSTEMS LTD. www.canwest-tanks.com			
DATE: DRAWN BY: L J				