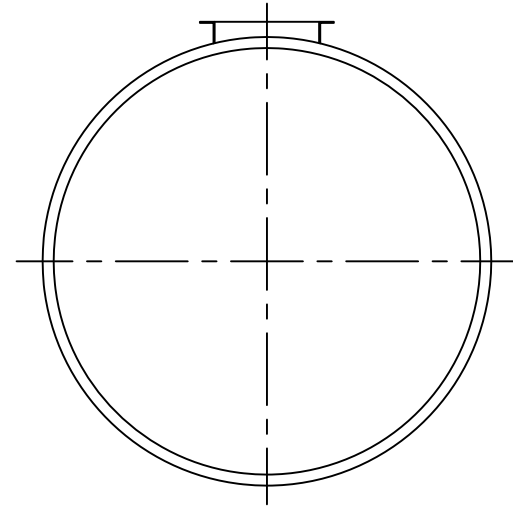
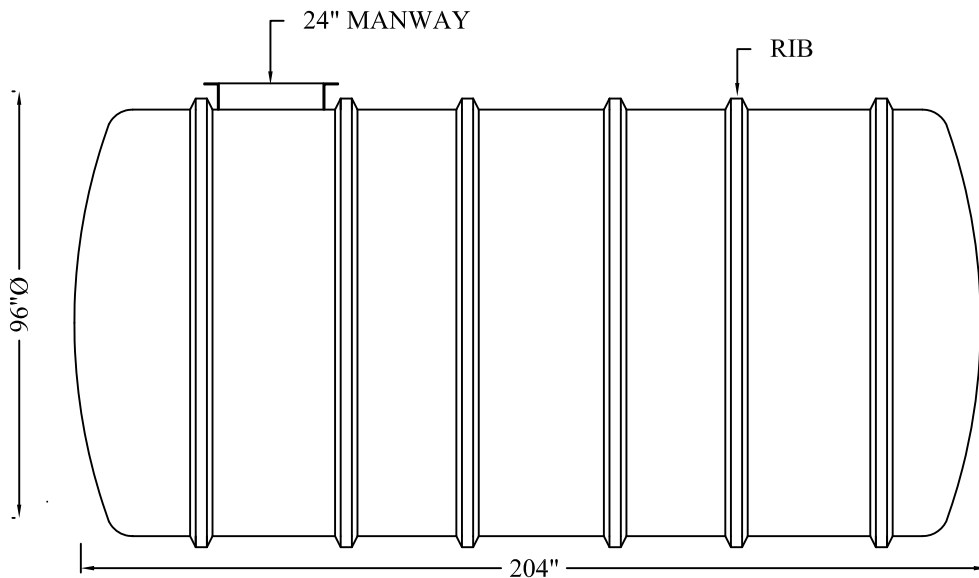


TOP VIEW




END VIEW



ELEVATION VIEW

MODEL FRP5000-8H

FILAMENT WOUND
 FIRBERGLASS TANK
 VOL. CAP. 5,000 I.GALS
 6,000 US GALS
 22,730 LITERS

NOTES:	<u>PROJECT</u>			
TOTAL VOLUME LITERS: I.GALS:				
LENGTH METRIC (mm): IMPERIAL:		CANWEST TANKS & ECOLOGICAL SYSTEMS LTD. www.canwest-tanks.com		
DATE: DRAWN BY: L J				