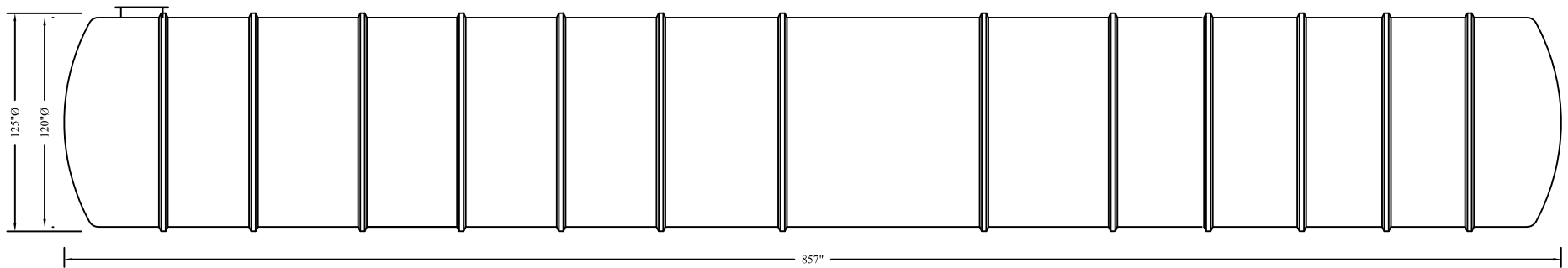
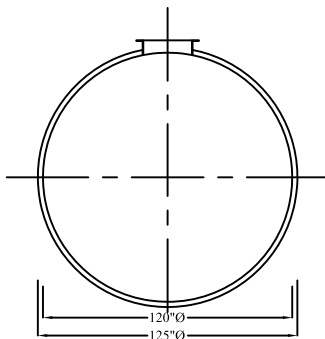


PLAN VIEW



ELEVATION



END VIEW

MODEL No. FRP34000-10H
 TOT. CAP. - 34,000 gals
 154,564 Liters

FILAMENT WOUND FIBERGLASS TANK OPTIONS:

1. ABOVE OR BELOW GROUND INSTALLATION
2. POTABLE OR NON POTABLE WATER
3. FIRE PROTECTION
4. SEWAGE HOLDING OR SEPTIC TANK
5. HOLD-DOWN STRAPS FOR WATER TABLE CONDITIONS
6. SIZE OF MANWAY - TO SUIT APPLICATION
7. FITTINGS - FLANGED FRP
8. HEAT TRACE & INSULATION

NOTES:	<u>PROJECT</u>			
TOTAL VOLUME LITERS: GALS:	FR			
LENGTH METRIC (mm): IMPERIAL (Ft.):				
DATE: DRAWN BY: L J	REV No.	SCALE:	SHEET OF	DWG REF.



**CANWEST TANKS &
 ECOLOGICAL SYSTEMS LTD.**
 www.canwest-tanks.com