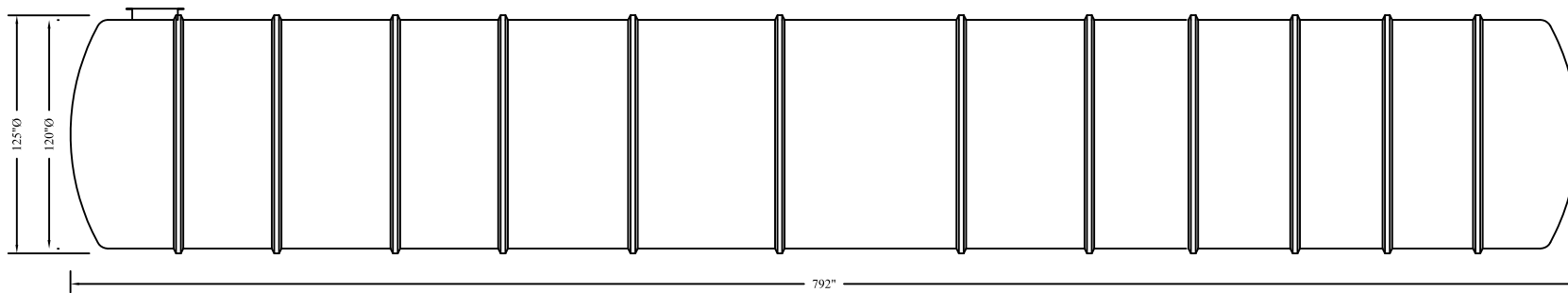
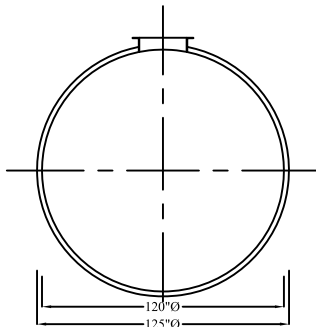


PLAN VIEW



ELEVATION




END VIEW

FILAMENT WOUND FIBERGLASS TANK OPTIONS:

1. ABOVE OR BELOW GROUND INSTALLATION
2. POTABLE OR NON POTABLE WATER
3. FIRE PROTECTION
4. SEWAGE HOLDING OR SEPTIC TANK
5. HOLD-DOWN STRAPS FOR WATER TABLE CONDITIONS
6. SIZE OF MANWAY - TO SUIT APPLICATION
7. FITTINGS - FLANGED FRP
8. HEAT TRACE & INSULATION

MODEL No. FRP32000-10H
 TOT. CAP. - 32,000 gals
 145,472 Liters

| | | | | |
|---------------------|--|--------|----------|----------|
| NOTES: | <u>PROJECT</u> | | | |
| FRP32000-10H | | | | |
| TOTAL VOLUME |  CANWEST TANKS & ECOLOGICAL SYSTEMS LTD. www.canwest-tanks.com | | | |
| LITERS: | | | | |
| IGALS: | | | | |
| LENGTH | REV No. | SCALE: | SHEET OF | DWG REF. |
| METRIC (mm): | | | | |
| IMPERIAL (Ft.): | | | | |
| DATE: | | | | |
| DRAWN BY: | | | | |
| L J | | | | |