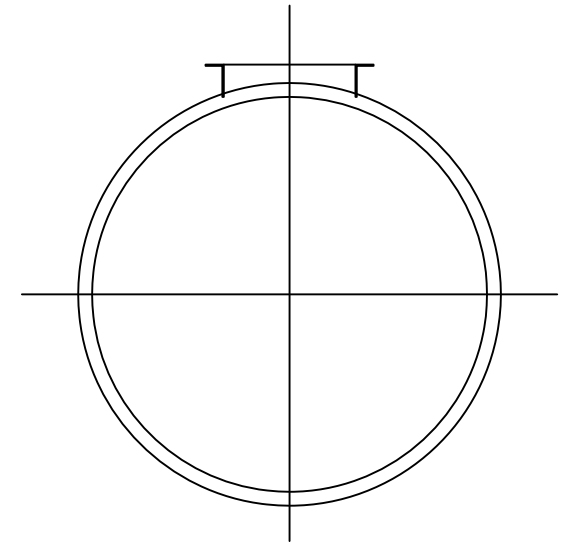
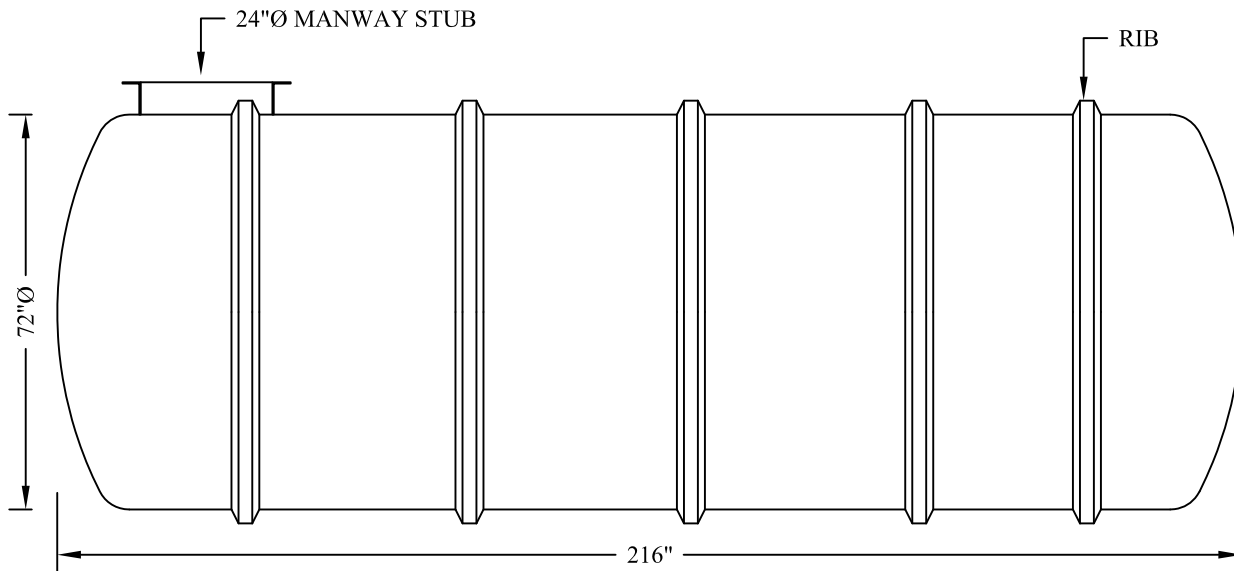


TOP VIEW



END VIEW



ELEVATION VIEW

MODEL FRP3000-6H

FILAMENT WOUND FIRBERGLASS TANK
 VOL. CAP. 3,000 I.GALS
 3,600 US GALS
 13,638 LITERS

Canwest Tanks & Ecological Systems Ltd.

11975 Old Yale Road
 Surrey, B.C.V3V 3X4
 Canada



Tel: 604.580.3030
 Fax: 604.580.1171
 Email: canwest@direct.ca

DESCRIPTION

CLIENT:

PROJECT

DWG No.

PROJECT NUMBER

SCALE	ISSUE	D/M/Y	DWN BY:	APP.	REV.
			LEIF J.		