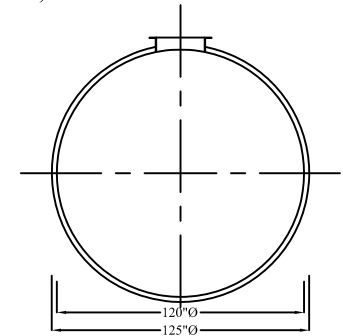
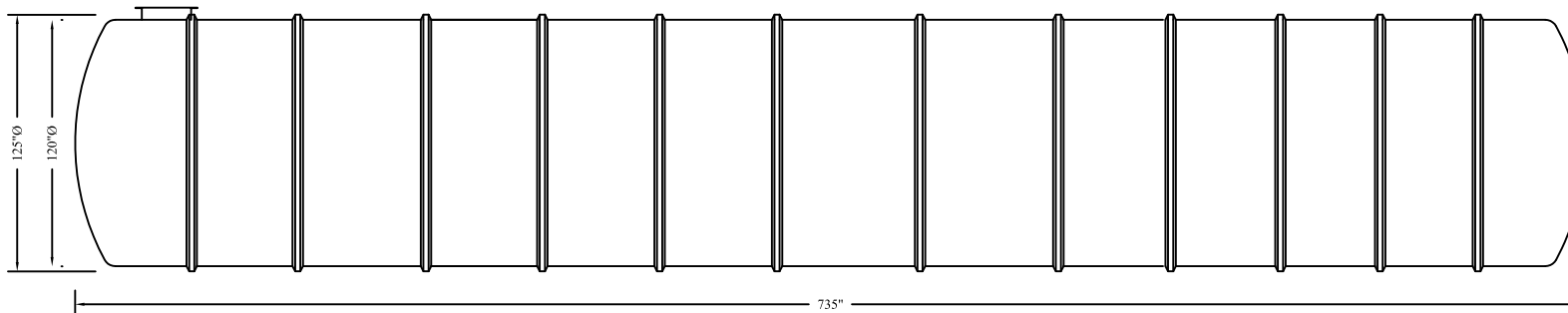


PLAN VIEW



END VIEW




ELEVATION

MODEL No. FRP30000-10H
 TOT. CAP. - 30,000 gals
 136,380 Liters

FILAMENT WOUND FIBERGLASS TANK OPTIONS:

1. ABOVE OR BELOW GROUND INSTALLATION
2. POTABLE OR NON POTABLE WATER
3. FIRE PROTECTION
4. SEWAGE HOLDING OR SEPTIC TANK
5. HOLD-DOWN STRAPS FOR WATER TABLE CONDITIONS
6. SIZE OF MANWAY - TO SUIT APPLICATION
7. FITTINGS - FLANGED FRP
8. HEAT TRACE & INSULATION

NOTES:	<u>PROJECT</u>			
	FRP30000-10H			
TOTAL VOLUME	 CANWEST TANKS & ECOLOGICAL SYSTEMS LTD. www.canwest-tanks.com			
LITERS:				
LGALS:				
LENGTH	REV No.	SCALE:	SHEET	OF
METRIC (mm):				
IMPERIAL (Ft.):				
DATE:				DWG REF.
DRAWN BY:				
L J				