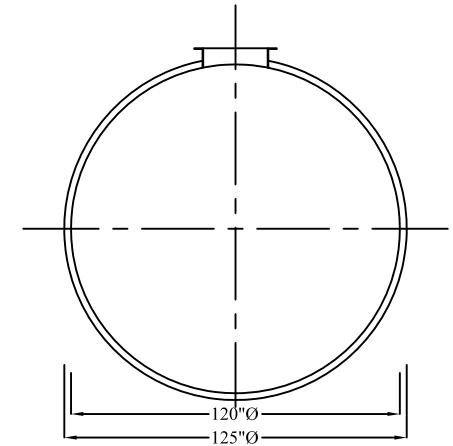
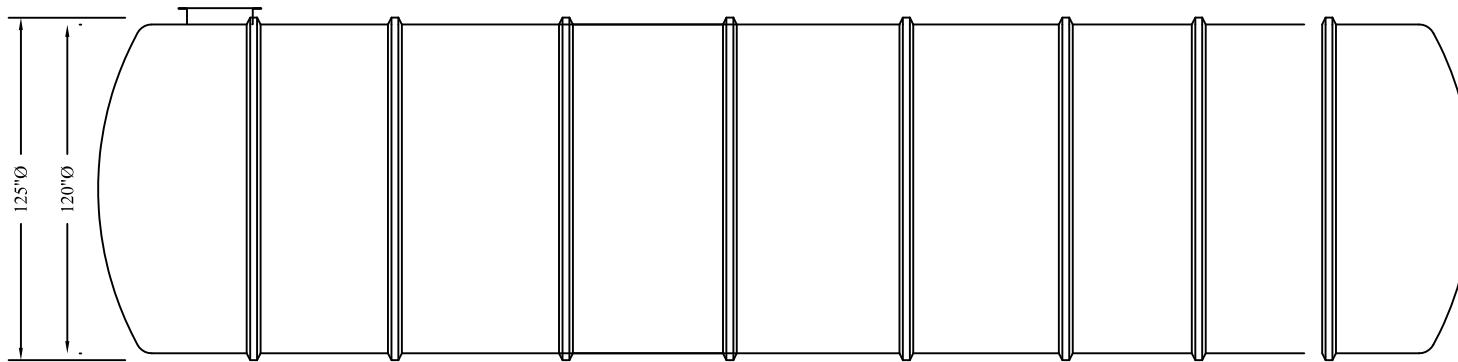


PLAN VIEW



END VIEW




ELEVATION

MODEL No. FRP20000-10H
TOT. CAP. - 20,000 gals

FILAMENT WOUND FIBERGLASS TANK OPTIONS:

1. ABOVE OR BELOW GROUND INSTALLATION
2. POTABLE OR NON POTABLE WATER
3. FIRE PROTECTION
4. SEWAGE HOLDING OR SEPTIC TANK
5. HOLD-DOWN STRAPS FOR WATER TABLE CONDITIONS
6. SIZE OF MANWAY - TO SUIT APPLICATION
7. FITTINGS - FLANGED FRP
8. HEAT TRACE & INSULATION

NOTES:	PROJECT			
TOTAL VOLUME				
LITERS:				
IGALS:				
LENGTH	 CANWEST TANKS & ECOLOGICAL SYSTEMS LTD. www.canwest-tanks.com			
METRIC (mm):				
IMPERIAL (Ft):				
DATE:	REV No.	SCALE:	SHEET OF	DWG REF.
DRAWN BY: L J				