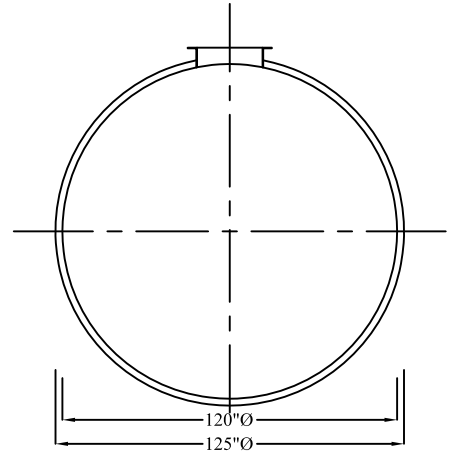
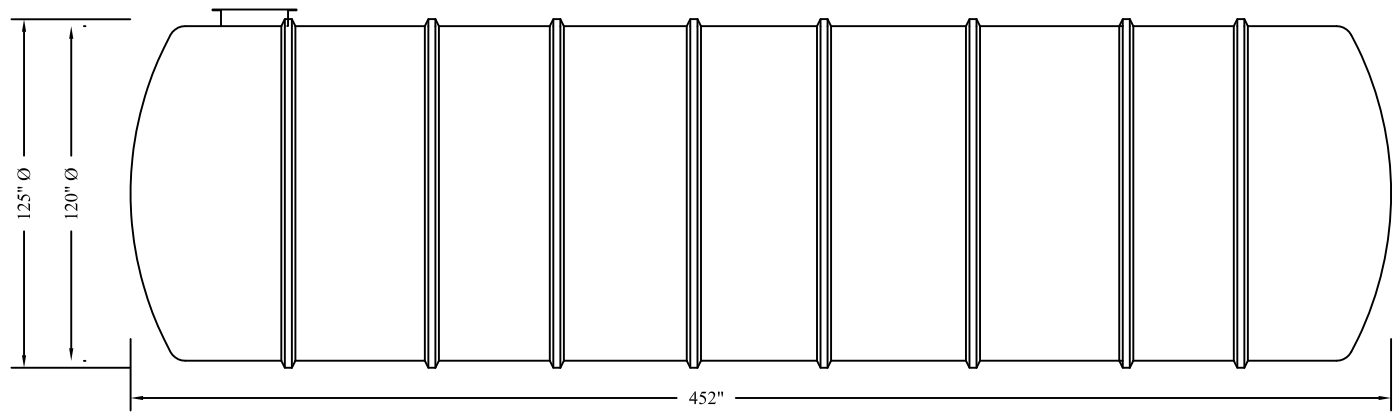


PLAN VIEW



END VIEW



ELEVATION

- FILAMENT WOUND FIBERGLASS TANK OPTIONS:
1. ABOVE OR BELOW GROUND INSTALLATION
  2. POTABLE OR NON POTABLE WATER
  3. FIRE PROTECTION
  4. SEWAGE HOLDING OR SEPTIC TANK
  5. HOLD-DOWN STRAPS FOR WATER TABLE CONDITIONS
  6. SIZE OF MANWAY - TO SUIT APPLICATION
  7. FITTINGS - FLANGED FRP
  8. HEAT TRACE & INSULATION

MODEL No. FRP18000-10H  
 TOT. CAP. - 18,000 gals

NOTES:	<b>PROJECT</b>			
TOTAL VOLUME				
LITERS:				
IGALS:				
LENGTH				
METRIC (mm):				
IMPERIAL (Ft.):				
DATE:	REV No.	SCALE:	SHEET OF	DWG REF.
DRAWN BY: LJ				



**CANWEST TANKS & ECOLOGICAL SYSTEMS LTD.**  
 www.canwest-tanks.com