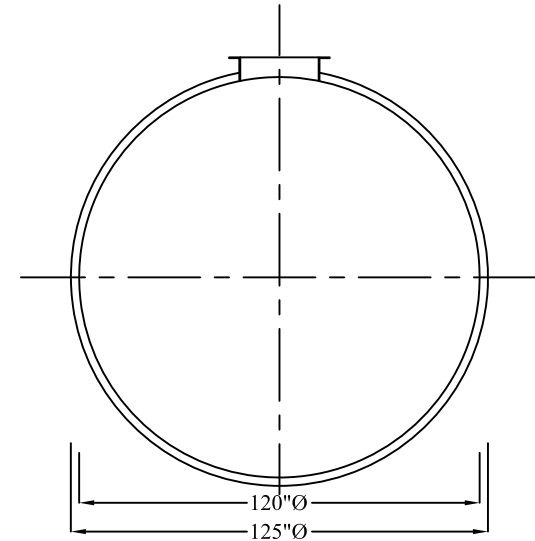
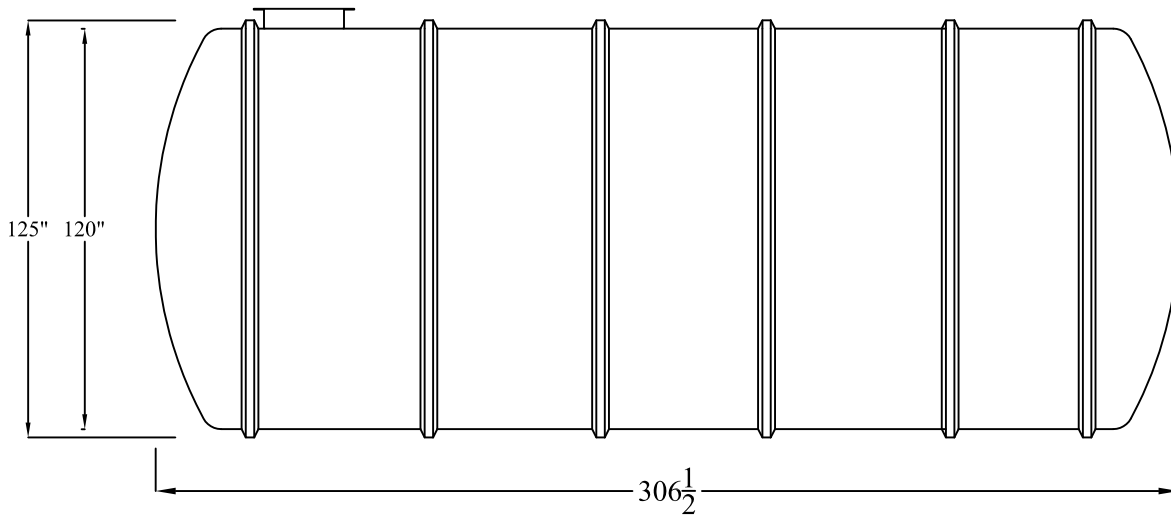


PLAN VIEW



END VIEW




ELEVATION

FILAMENT WOUND FIBERGLASS TANK OPTIONS:

1. ABOVE OR BELOW GROUND INSTALLATION
2. POTABLE OR NON POTABLE WATER
3. FIRE PROTECTION
4. SEWAGE HOLDING OR SEPTIC TANK
5. HOLD-DOWN STRAPS FOR WATER TABLE CONDITIONS
6. SIZE OF MANWAY - TO SUIT APPLICATION
7. FITTINGS - FLANGED FRP
8. HEAT TRACE & INSULATION

MODEL No. FRP12000-10H  
 TOT. CAP. - 12,000 gals

NOTES:	<u>PROJECT</u>			
TOTAL VOLUME LITERS: 54,552 I.GALS: 12,000	 <b>CANWEST TANKS &amp; ECOLOGICAL SYSTEMS LTD.</b> <a href="http://www.canwest-tanks.com">www.canwest-tanks.com</a>			
LENGTH METRIC (mm): 7772.4 IMPERIAL (Ft.): 25.5				
DATE:				
DRAWN BY: LJ		1:1		