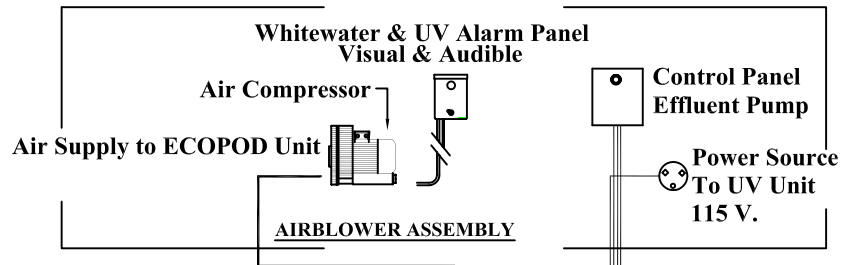


PLAN VIEW



LEGEND:

"A" - TRASH TANK - TOT. CAP. 500 LGALS

"B" - E60 - S.T.P.
TREATMENT CAP. 500 LGALS. / DAY

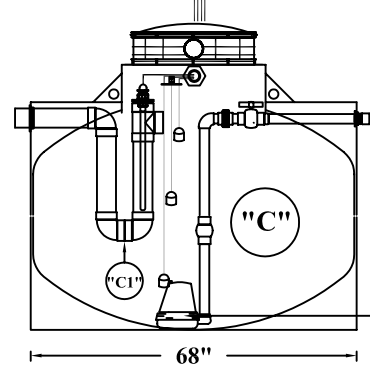
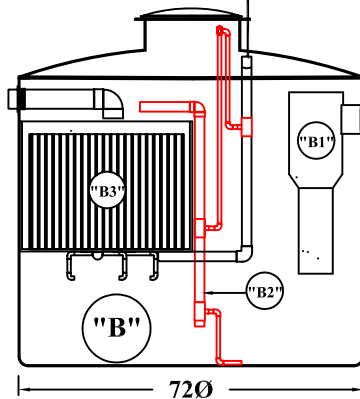
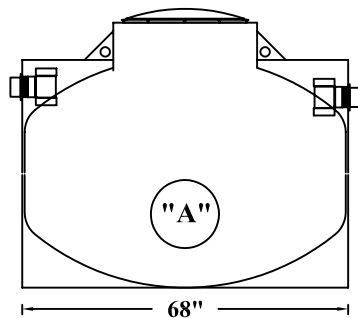
"B1" - FILTER UNIT

"B2" - SLUDGE RETURN (RAS)

"B3" - ECOPOD UNIT

"C" - PUMP CHAMBER - TOT. CAP. 500 LGALS

"C1" - UV UNIT

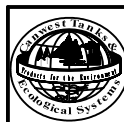


EFFLUENT PUMP
(NOT INCLUDED)
SIZE TO BE SPECIFIED

SYSTEM ELEVATION-SECTION

NOTES:

1. ALL EXTERIOR PIPING TO BE BY OTHERS
2. FOR BURIAL INSTRUCTIONS, CONTACT CANWEST.



Canwest Tanks & Ecological Systems Ltd.

11975 Old Yale Road Tel.: (604) 580-3030
Surrey, B.C. V3V 3X4 Fax: (604) 580-1171
Canada E-Mail: canwest@direct.ca

This drawing is loaned "as is" for purpose of information only and is the sole property of Canwest Tanks & Ecological Systems Ltd.

TYPE 3 SEWAGE TREATMENT SYSTEM

MODEL E60T3
500 L. GPD SEWAGE FLOW

GENERAL ARRANGEMENT

Dwg. No.

Scale:

Date:

Drawn:
Leif J.

Rev.

of