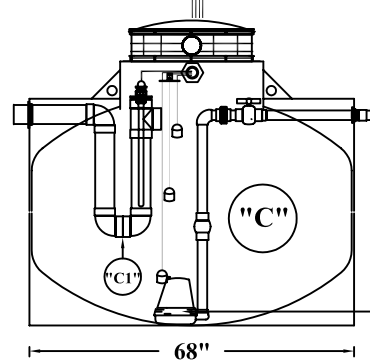
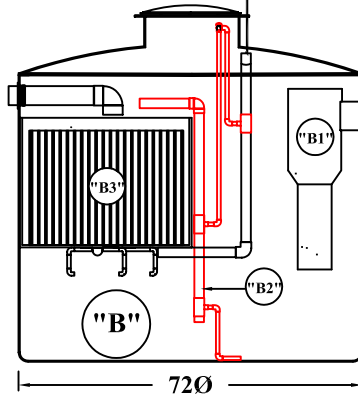
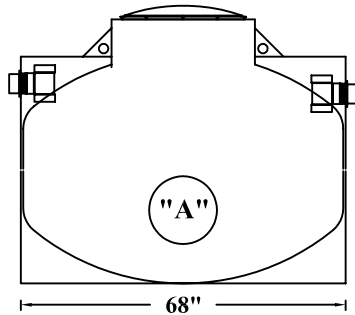
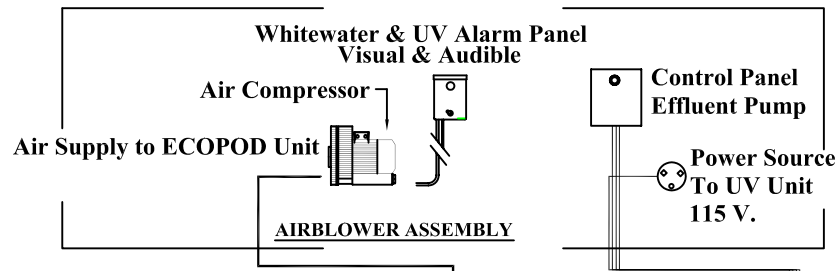


PLAN VIEW



LEGEND:

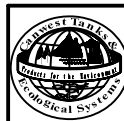
- "A" - TRASH TANK - TOT. CAP. 470 LGALS
- "B" - E50 - S.T.P.
TREATMENT CAP. 416 LGALS. / DAY
- "B1" - FILTER UNIT
- "B2" - SLUDGE RETURN (RAS)
- "B3" - ECOPOD UNIT
- "C" - PUMP CHAMBER - TOT. CAP. 470 LGALS
- "C1" - UV UNIT

**EFFLUENT PUMP
(NOT INCLUDED)
SIZE TO BE SPECIFIED**

NOTES:

1. ALL EXTERIOR PIPING TO BE BY OTHERS
2. FOR BURIAL INSTRUCTIONS, CONTACT CANWEST.

SYSTEM ELEVATION-SECTION



**Canwest Tanks &
Ecological Systems Ltd.**

11975 Old Yale Road Tel.: (604) 580-3030
Surrey, B.C. V3V 3X4 Fax: (604) 580-1171
Canada E-Mail: canwest@direct.ca

This drawing is loaned "as is" for purpose of information only and is the sole property of Canwest Tanks & Ecological Systems Ltd.

**TYPE 3 SEWAGE TREATMENT
SYSTEM**

**MODEL E50FF, ECOPOD
416 L. GPD SEWAGE FLOW**

GENERAL ARRANGEMENT

Dwg. No.

**Drawn:
Leif J.**

Scale:

Date:

Rev.

of