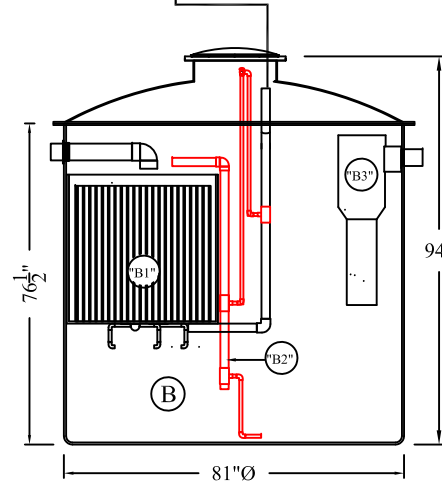
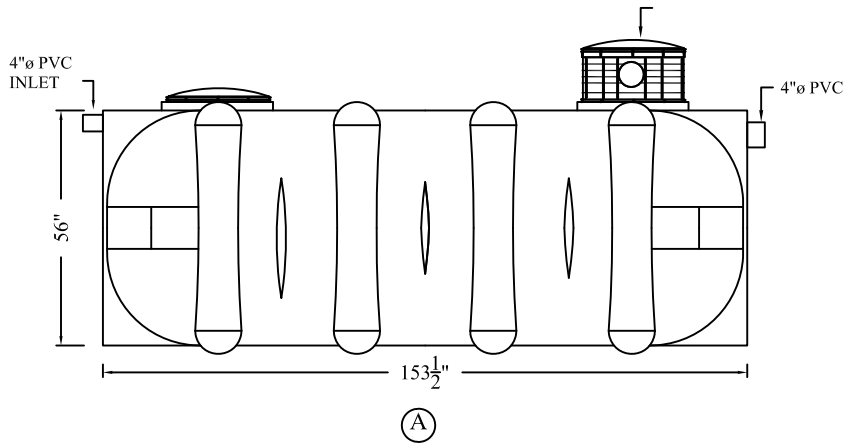
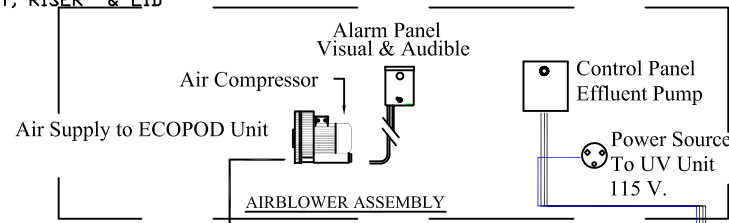
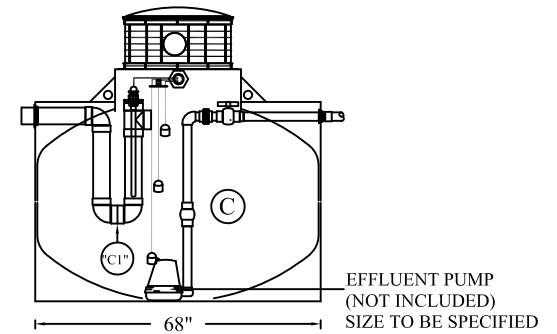


24"Ø MANWAY, RISER & LID
(TYP.)

PLAN VIEW



SYSTEM ELEVATION - SECTION



NOTES:

1. ALL EXTERIOR PIPING TO BE BY OTHERS
2. FOR BURIAL INSTRUCTIONS, CONTACT CANWEST.

LEGEND:

- "A" - TRASH TANK - TOT. CAP. 1,400 I.GALS
- "B" - E150 - ECOPOD WWTP
TREATMENT CAP. 1,250 I.GALS. / DAY
- "B1" - ECOPOD UNIT
- "B2" - SLUDGE RETURN (RAS)
- "B3" - FILTER UNIT
- "C" - PUMP CHAMBER - TOT. CAP. 500 I.GALS
- "C1" - UV UNIT



**Canwest Tanks &
Ecological Systems Ltd.**

11975 Old Yale Road Tel.: (604) 580-3030
Surrey, B.C. V3V 3X4 Fax: (604) 580-1171
Canada E-Mail: canwest@direct.ca

This drawing is loaned "as is" for purpose of information only and is the sole property of Canwest Tanks & Ecological Systems Ltd.

TYPE 3 SEWAGE TREATMENT
MODEL E150T3, ECOPOD WWTP
1,250 I. GPD SEWAGE FLOW

GENERAL ARRANGEMENT

Dwg. No.		Drawn: Leif J.	of
Scale:	Date:		