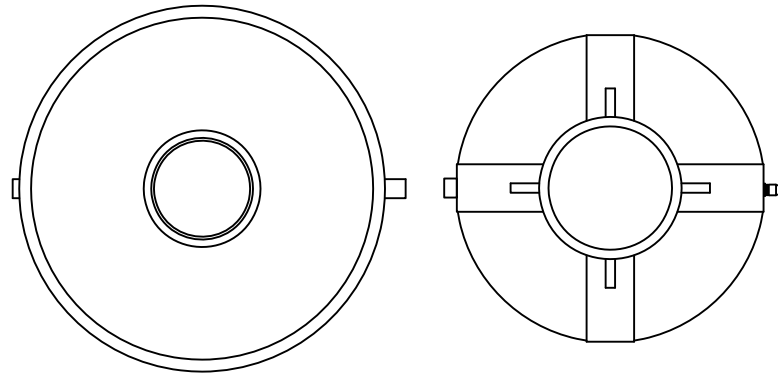


TOP VIEW



PLAN VIEW

LEGEND:

"A" - TRASH TANK - TOT. CAP. 1000 I.GALS

"B" - E100 - ECOPOD WWTP
TREATMENT CAP. 833 I.GALS. / DAY

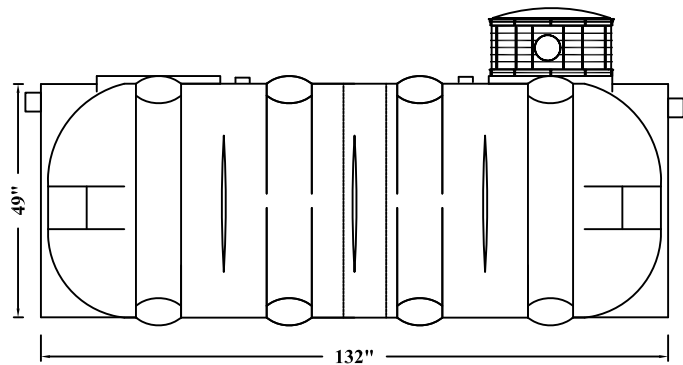
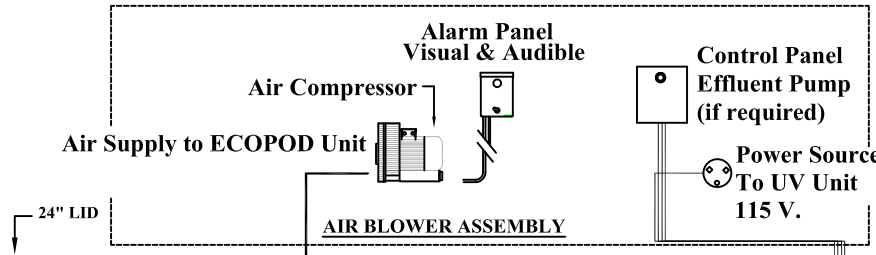
"B1" - ECOPOD UNIT

"B2" - SLUDGE RETURN (RAS)

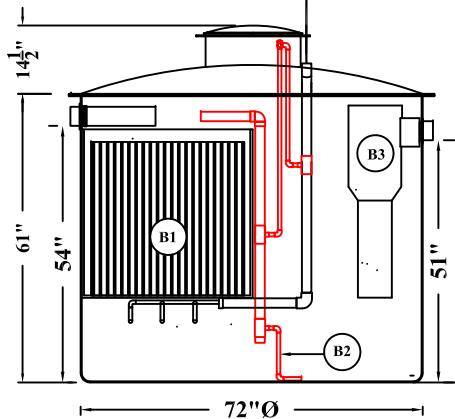
"B3" - FILTER UNIT

"C" - PUMP CHAMBER - TOT. CAP. 500 I.GALS

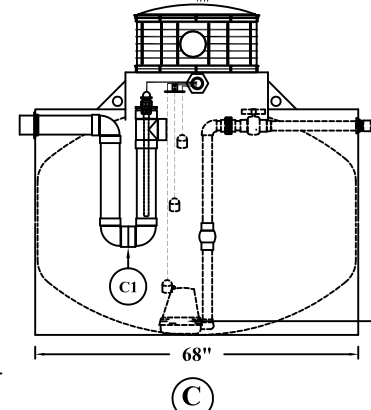
"C1" - UV UNIT



(A)



(B)



(C)

EFFLUENT PUMP
(IF REQUIRED)

SYSTEM ELEVATION - SECTION

MODEL E100T3, ECOPOD WWTP
833 I. GPD SEWAGE FLOW



**Canwest Tanks &
Ecological Systems Ltd.**

11975 Old Yale Road Tel.: (604) 580-3030
Surrey, B.C. V3V 3X4 Fax: (604) 580-1171
Canada E-Mail: canwest@direct.ca

This drawing is loaned "as is" for purpose of information only and is the sole property of Canwest Tanks & Ecological Systems Ltd.

TYPE 3 SEWAGE TREATMENT SYSTEM
MODEL E100T3, ECOPOD WWTP
833 I. GPD SEWAGE FLOW

GENERAL ARRANGEMENT

Dwg. No.		Drawn: Leif J.	of
Scale:	Date:		
		Rev.	