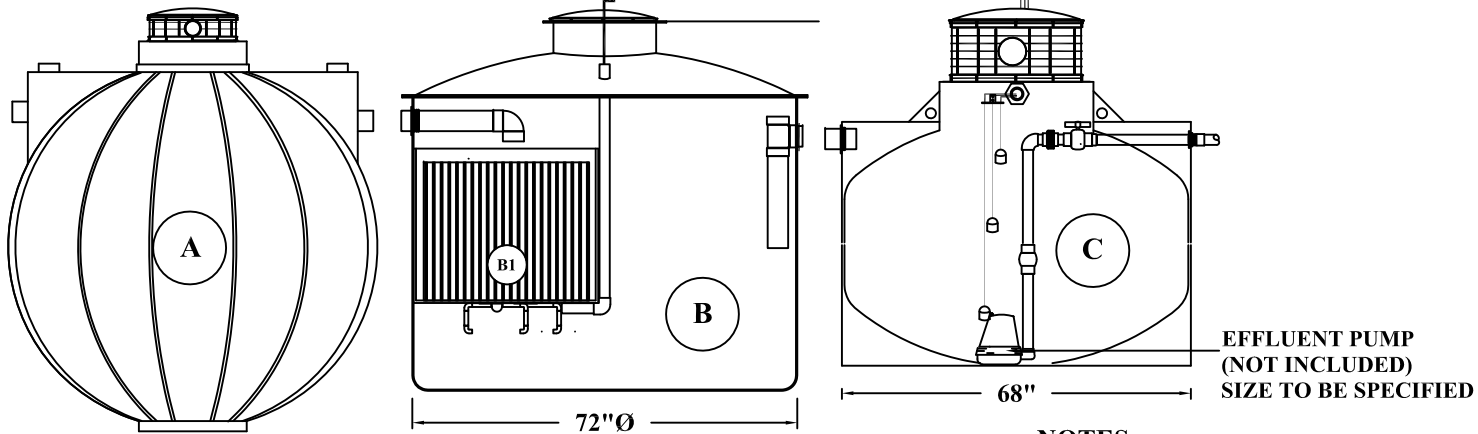
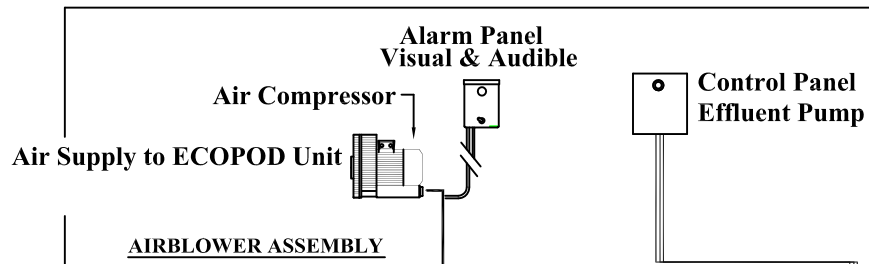


PLAN VIEW

LEGEND:

- "A" - TRASH TANK - TOT. CAP. 500 LGALS
- "B" - E75 - ECOPOD WWTP
TREATMENT CAP. 625 LGALS. / DAY
- "B1" - ECOPOD UNIT
- "C" - PUMP CHAMBER - TOT. CAP. 500 LGALS



SYSTEM ELEVATION - SECTION

NOTES:

1. ALL EXTERIOR PIPING TO BE BY OTHERS
2. FOR BURIAL INSTRUCTIONS, CONTACT CANWEST.



Canwest Tanks & Ecological Systems Ltd.

11975 Old Yale Road Tel.: (604) 580-3030
Surrey, B.C. V3V 3X4 Fax: (604) 580-1171
Canada E-Mail: canwest@direct.ca

This drawing is loaned "as is" for purpose of information only and is the sole property of Canwest Tanks & Ecological Systems Ltd.

TYPE 2 SEWAGE TREATMENT
MODEL E75T2, ECOPOD WWTP
625 L. GPD SEWAGE FLOW

GENERAL ARRANGEMENT

Dwg. No.

Scale:

Date:

Drawn:

Leif J.

Rev.

of