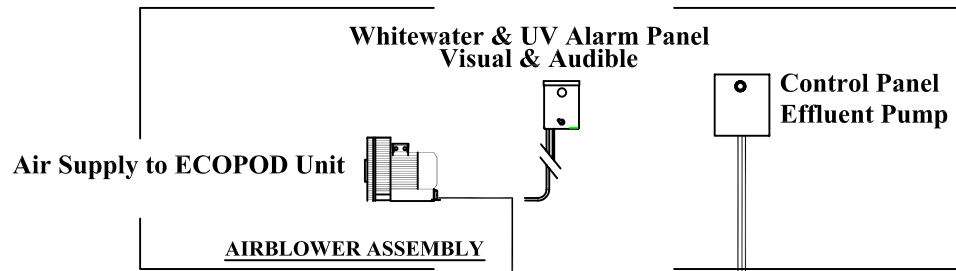
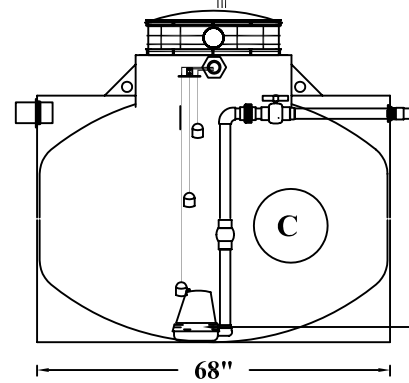
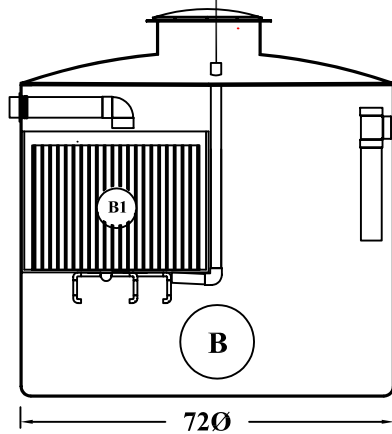
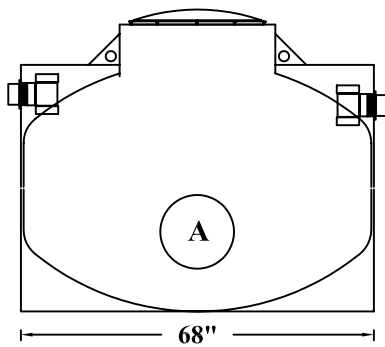


**PLAN VIEW**



**LEGEND:**

- "A" - TRASH TANK - TOT. CAP. 470 I.GALS
- "B" - E50 - ECOPOD WWTP  
TREATMENT CAP. 416 I.GALS. / DAY
- "B1" - ECOPOD UNIT
- "C" - PUMP CHAMBER - TOT. CAP. 470 I.GALS

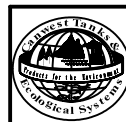


EFFLUENT PUMP  
(NOT INCLUDED)  
SIZE TO BE SPECIFIED

**SYSTEM ELEVATION-SECTION**

**NOTES:**

1. ALL EXTERIOR PIPING TO BE BY OTHERS
2. FOR BURIAL INSTRUCTIONS, CONTACT CANWEST.



**Canwest Tanks &  
Ecological Systems Ltd.**

11975 Old Yale Road Tel.: (604) 580-3030  
Surrey, B.C. V3V 3X4 Fax: (604) 580-1171  
Canada E-Mail: canwest@direct.ca

This drawing is loaned "as is" for purpose of information only and is the sole property of Canwest Tanks & Ecological Systems Ltd.

TYPE 2 SEWAGE TREATMENT SYSTEM  
MODEL E50T2, ECOPOD WWTP  
416 I. GPD SEWAGE FLOW

**GENERAL ARRANGEMENT**

Dwg. No.		Drawn: Leif J.		of
Scale:	Date:	Rev.		