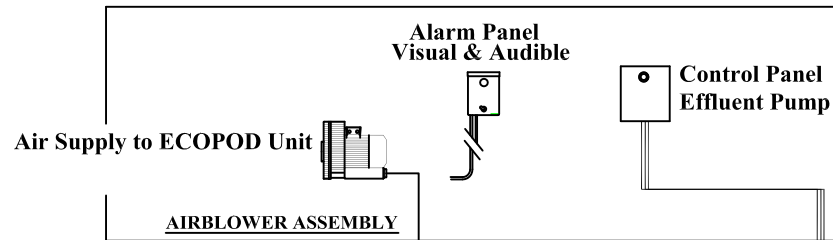


PLAN VIEW



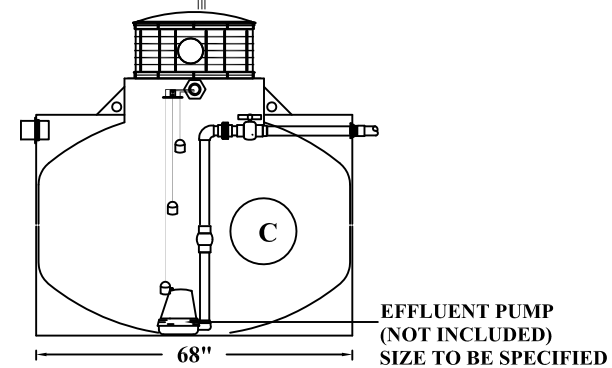
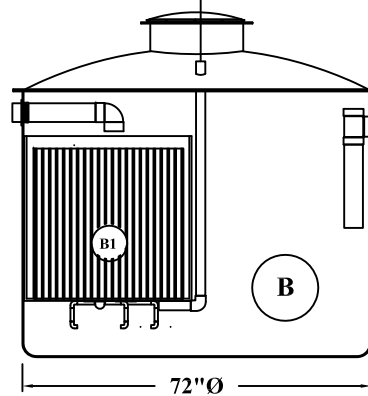
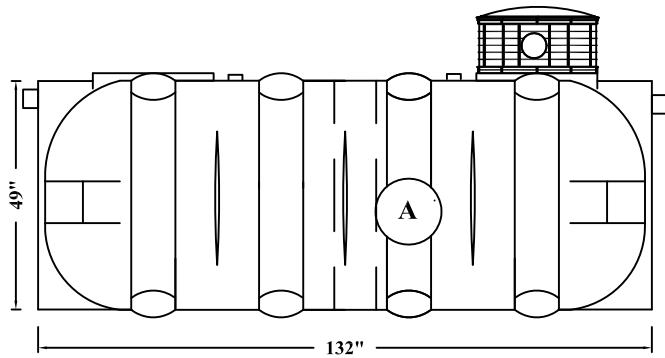
LEGEND:

"A" - TRASH TANK - TOT. CAP. 1,000 LGALS

"B" - E100 - ECOPOD WWTP
TREATMENT CAP. 833 LGALS. / DAY

"B1" - ECOPOD UNIT

"C" - PUMP CHAMBER - TOT. CAP. 500 LGALS



EFFLUENT PUMP
(NOT INCLUDED)
SIZE TO BE SPECIFIED

SYSTEM ELEVATION - SECTION

NOTES:

1. ALL EXTERIOR PIPING TO BE BY OTHERS
2. FOR BURIAL INSTRUCTIONS, CONTACT CANWEST.



Canwest Tanks & Ecological Systems Ltd.

11975 Old Yale Road Tel.: (604) 580-3030
Surrey, B.C. V3V 3X4 Fax: (604) 580-1171
Canada E-Mail: canwest@direct.ca

This drawing is loaned "as is" for purpose of information only and is the sole property of Canwest Tanks & Ecological Systems Ltd.

TYPE 2 SEWAGE TREATMENT SYSTEM
MODEL E100T2, ECOPOD WWTP
833 L. GPD SEWAGE FLOW

GENERAL ARRANGEMENT

Dwg. No.		Drawn: Leif J.	of
Scale:	Date:		
		Rev.	