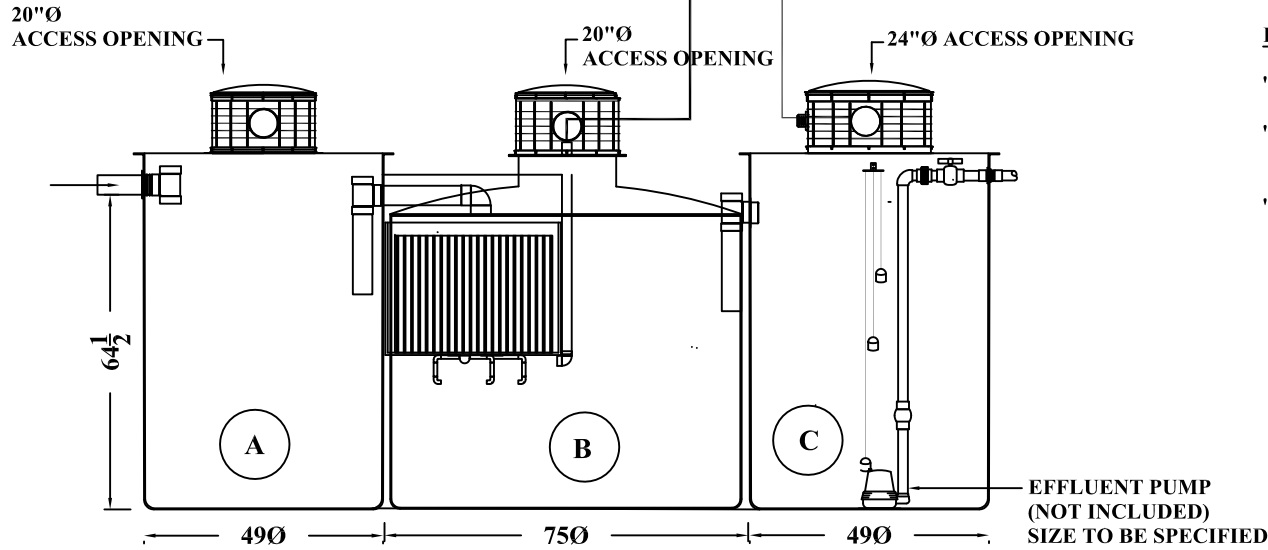
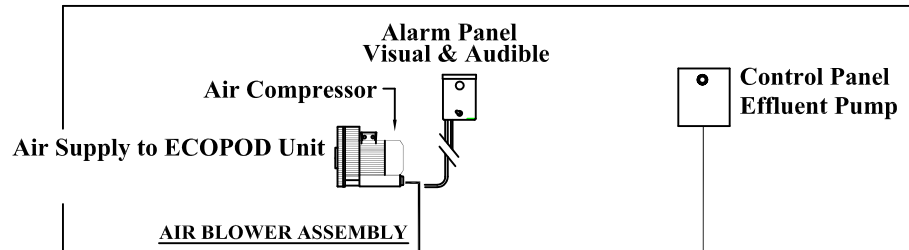


**PLAN VIEW**



**ELEVATION - SECTION**

**LEGEND:**

- "A" - TRASH TANK - TOT. CAP. 470 LGALS
- "B" - E75 ECOPOD S.T.P.  
- TREATMENT CAP. 625 LGALS. / DAY
- "C" - PUMP CHAMBER - TOT. CAP. 470 LGALS



**Canwest Tanks & Ecological Systems Ltd.**

11975 Old Yale Road Tel.: (604) 580-3030  
Surrey, B.C. V3V 3X4 Fax: (604) 580-1171  
Canada E-Mail: canwest@direct.ca

This drawing is loaned "as is" for purpose of information only and is the sole property of Canwest Tanks & Ecological Systems Ltd.

MODEL No E75T2 COMBO  
ECOPOD SEWAGE TREATMENT PLANT

**GENERAL ARRANGEMENT**

|               |                  |                   |    |
|---------------|------------------|-------------------|----|
| Dwg. No.      |                  | Drawn:<br>Leif J. | of |
| Scale:<br>1:1 | Date:<br>NOV./08 |                   |    |