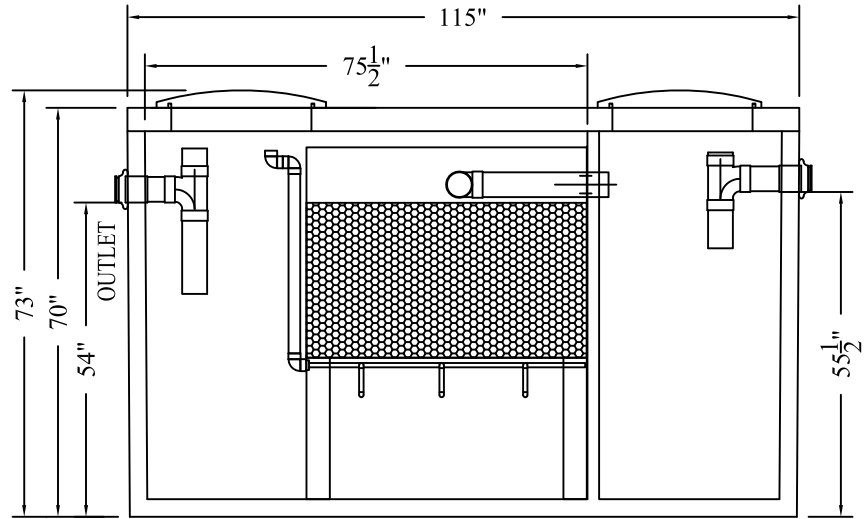
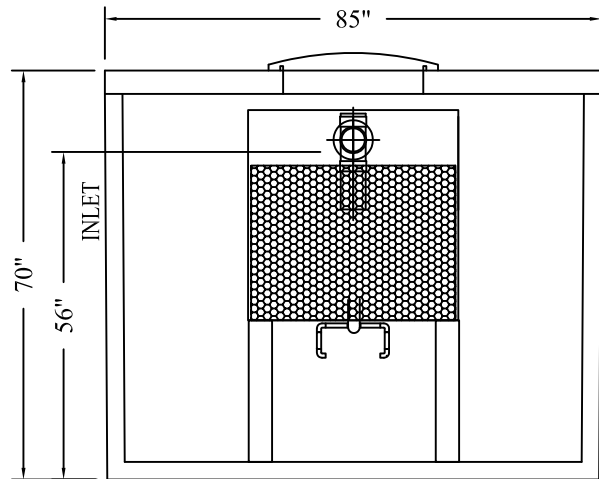


TOP VIEW

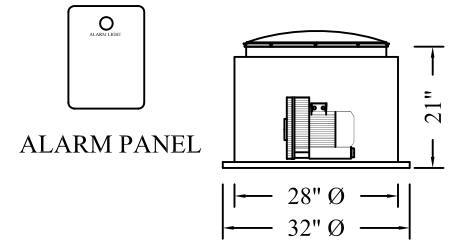


REACTOR TANK TRASH TANK

SIDE VIEW



END VIEW




ALARM PANEL

AIR BLOWER IN VAULT

ECOPOD MOD.# E75C-T2/2
 TREATING 625 I.GALS / DAY
 INSTALLED INTO A MANCO1600/2
 CONCRETE TANK

NOTE:
 TYPE 3 (T3) SYSTEMS HAVE ADDED
 SLUDGE RETURN AND UV LIGHT

TOTAL VOLUME		PROJECT	
LITERS: _____		 CANWEST TANKS & ECOLOGICAL SYSTEMS LTD. www.canwest-tanks.com Tel: 604.580.3030	
I.GALS: _____			
LENGTH: _____			
METRIC: _____			
IMPERIAL: _____			
DIA. / WIDTH: _____			
DRY WEIGHT: _____		REV No.	SCALE:
DATE: _____		SHEET	OF
DRAWN BY: L J			DWG REF.