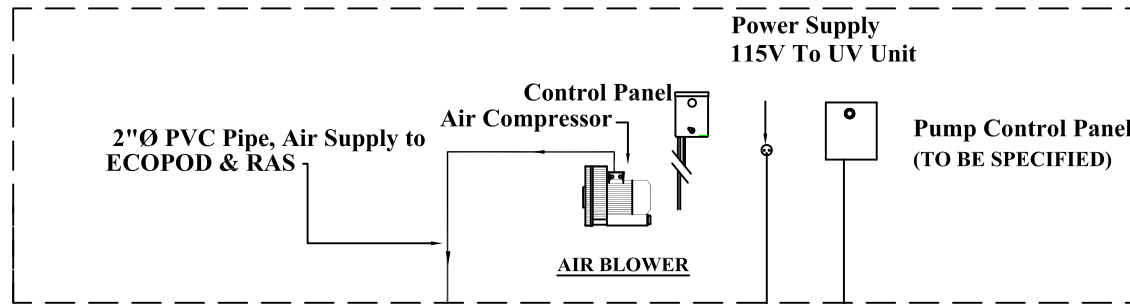
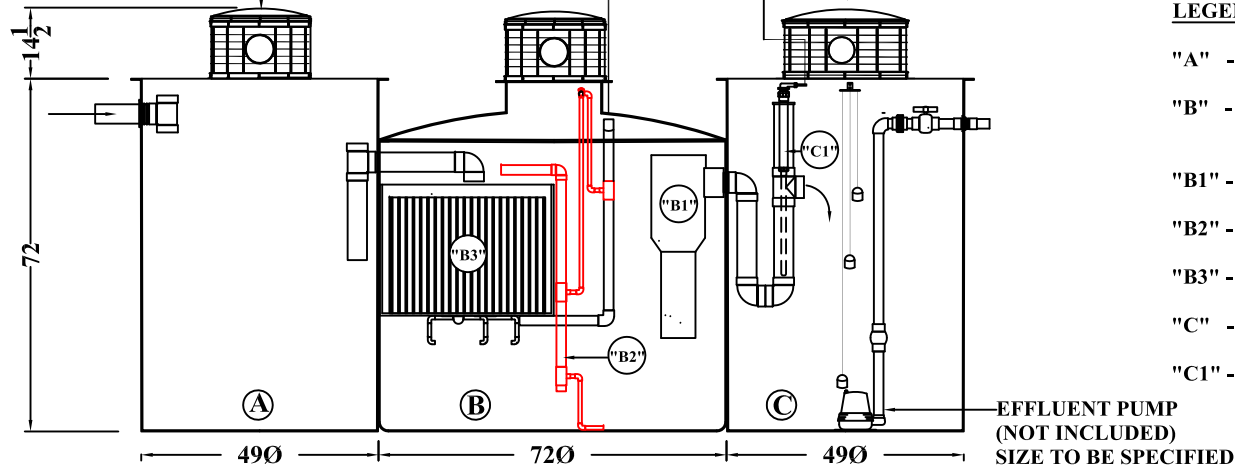


**PLAN VIEW**



20"Ø ACCESS OPENING  
(TYP. 2)

24"Ø ACCESS OPENING



**LEGEND:**

- "A" - TRASH TANK - TOT. CAP. 470 I.GALS
- "B" - E75 - ECOPOD  
TREATMENT CAP. 625 I.GALS. / DAY
- "B1" - FILTER UNIT
- "B2" - SLUDGE RETURN (RAS)
- "B3" - ECOPOD UNIT
- "C" - PUMP CHAMBER - TOT. CAP. 470 I.GALS
- "C1" - UV UNIT

EFFLUENT PUMP  
(NOT INCLUDED)  
SIZE TO BE SPECIFIED



**Canwest Tanks & Ecological Systems Ltd.**

11975 Old Yale Road Tel.: (604) 580-3030  
Surrey, B.C. V3V 3X4 Fax: (604) 580-1171  
Canada E-Mail: canwest@direct.ca

This drawing is loaned "as is" for purpose of information only and is the sole property of Canwest Tanks & Ecological Systems Ltd.

MODEL No E75T3, TYPEIII - COMBO  
ECOPOD SEWAGE TREATMENT PLANT

**GENERAL ARRANGEMENT**

|               |                  |                   |    |
|---------------|------------------|-------------------|----|
| Dwg. No.      |                  | Drawn:<br>Leif J. | of |
| Scale:<br>1:1 | Date:<br>NOV./08 |                   |    |