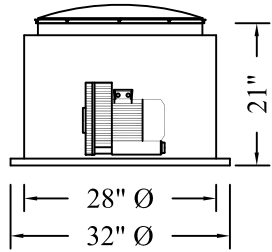
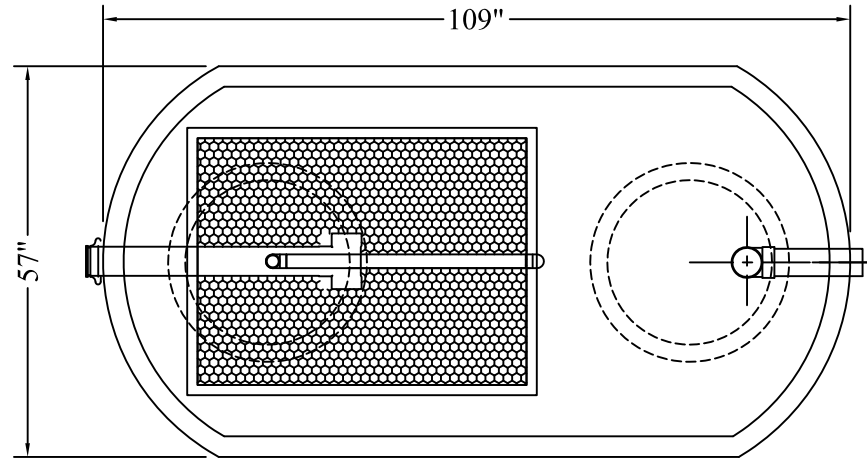




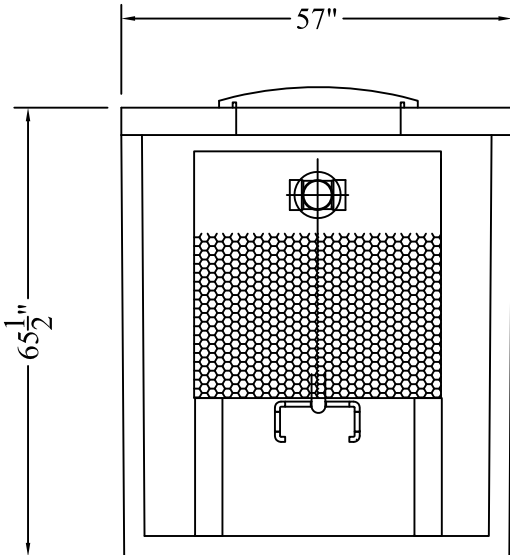
ALARM PANEL



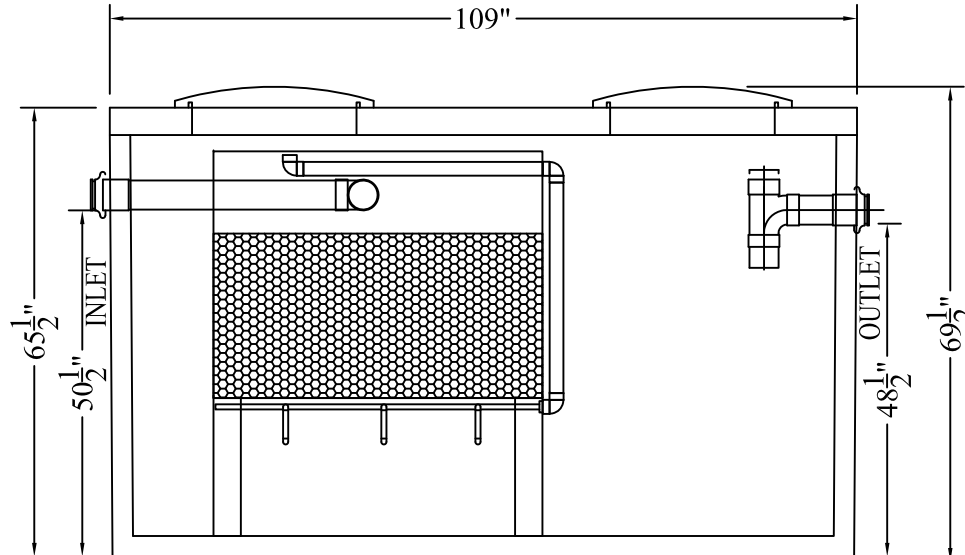
AIR BLOWER IN VAULT



TOP VIEW




END VIEW



SIDE VIEW

ECOPOD MOD.# E60C
TREATING 500 I.GALS / DAY
INSTALLED INTO A MANCO750
CONCRETE TANK

NOTE:
TYPE 3 (T3) SYSTEMS HAVE ADDED
SLUDGE RETURN AND UV LIGHT

TOTAL VOLUME	PROJECT		
LITERS:	 CANWEST TANKS & ECOLOGICAL SYSTEMS LTD. www.canwest-tanks.com Tel: 604.580.3030		
I.GALS:			
LENGTH:			
METRIC:			
IMPERIAL:			
DIA. / WIDTH:			
DRY WEIGHT:	REV No.	SCALE:	DWG REF.
DATE:			
DRAWN BY:			
L J			