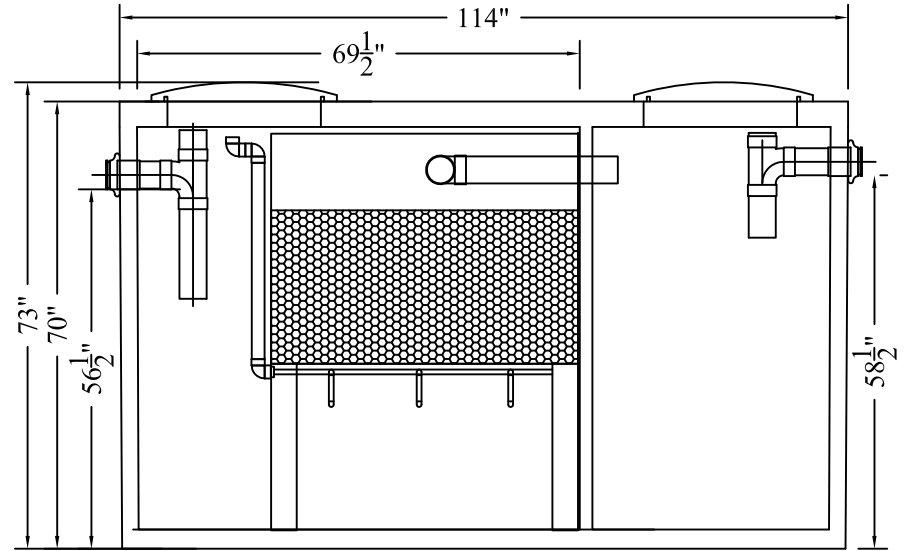
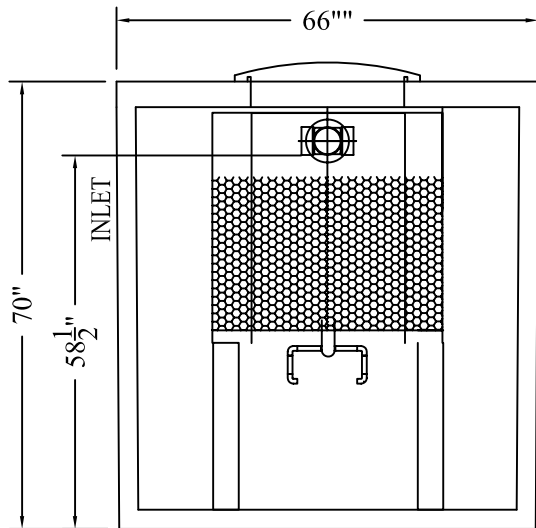


TOP VIEW



REACTOR TANK TRASH TANK

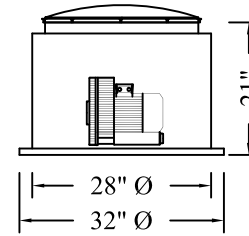
SIDE VIEW



END VIEW




ALARM PANEL



AIR BLOWER IN VAULT

ECOPOD MOD.# E60C-T2-2 (TYPE2)
 TREATING 500 I.GALS / DAY
 INSTALLED INTO A TWO CHAMBER
 MANCO1200 CONCRETE TANK

NOTE:
 TYPE3 (T3) SYSTEMS HAVE ADDED
 SLUDGE RETURN AND UV LIGHT

TOTAL VOLUME		PROJECT	
LITERS:			
I.GALS:			
LENGTH:			
METRIC:			
IMPERIAL:			
DIA. / WIDTH:			
DRY WEIGHT:		 CANWEST TANKS & ECOLOGICAL SYSTEMS LTD. www.canwest-tanks.com Tel: 604.580.3030	
DATE:			
DRAWN BY:	REV No.	SCALE:	DWG REF.
L J			SHEET OF