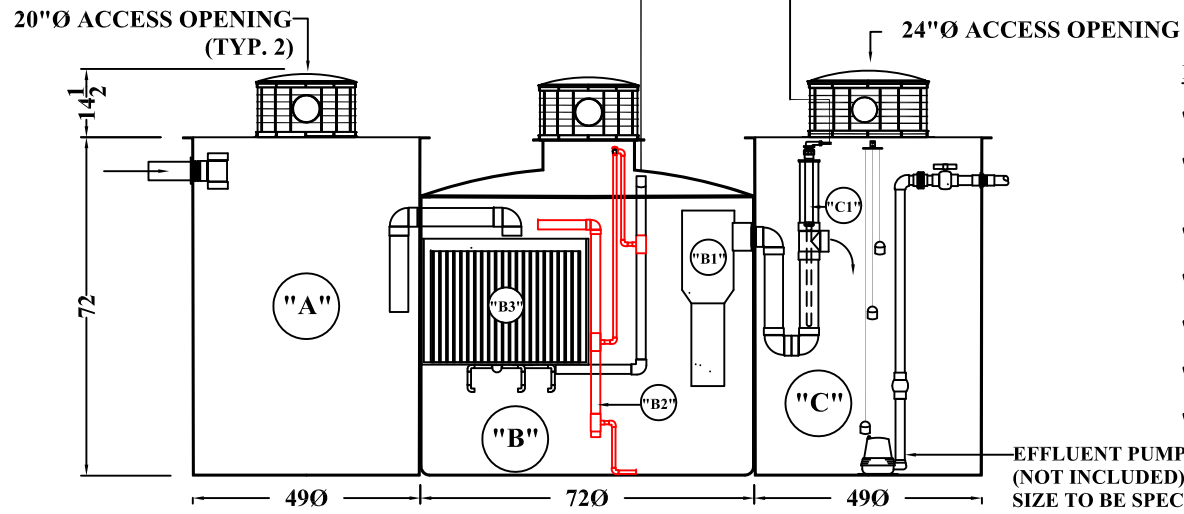
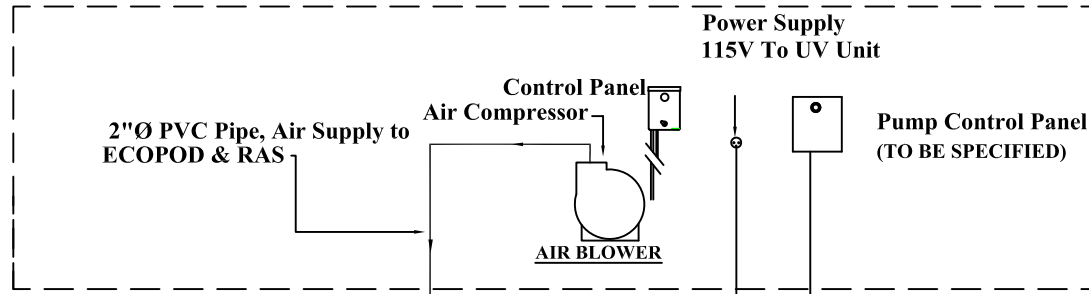


PLAN VIEW



LEGEND:

- "A" - TRASH TANK - TOT. CAP. 470 I.GALS
- "B" - E50 - ECOPOD
TREATMENT CAP. 416 I.GALS. / DAY
- "B1" - FILTER UNIT
- "B2" - SLUDGE RETURN (RAS)
- "B3" - ECOPOD UNIT
- "C" - PUMP CHAMBER - TOT. CAP. 470 I.GALS
- "C1" - UV UNIT



Canwest Tanks & Ecological Systems Ltd.
 11975 Old Yale Road Tel.: (604) 580-3030
 Surrey, B.C. V3V 3X4 Fax: (604) 580-1171
 Canada E-Mail: canwest@direct.ca

This drawing is loaned "as is" for purpose of information only and is the sole property of Canwest Tanks & Ecological Systems Ltd.

MODEL No E50T3-COMBO
 TYPE3 - COMBO ECOPOD
 SEWAGE TREATMENT PLANT
GENERAL ARRANGEMENT

Dwg. No.		Drawn: Leif J.
Scale: 1:1	Date: SEPT. /08	Rev.