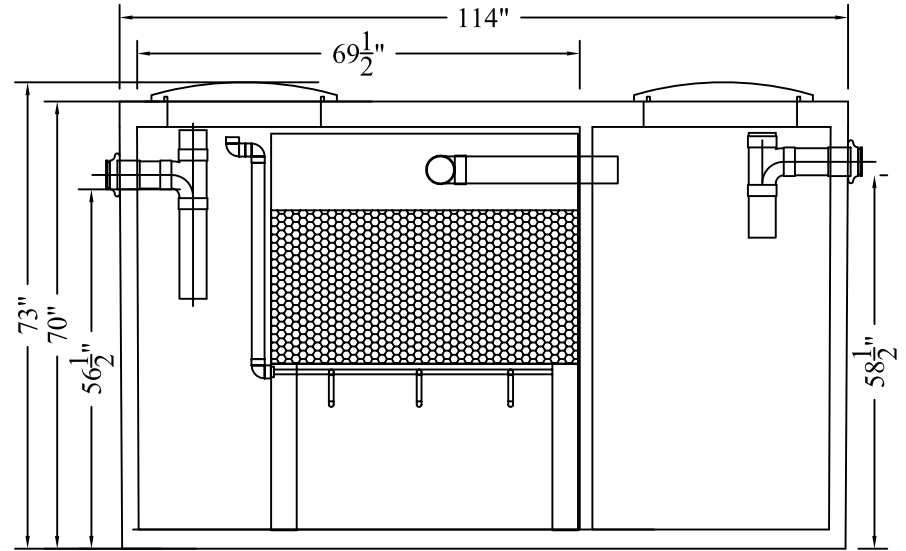


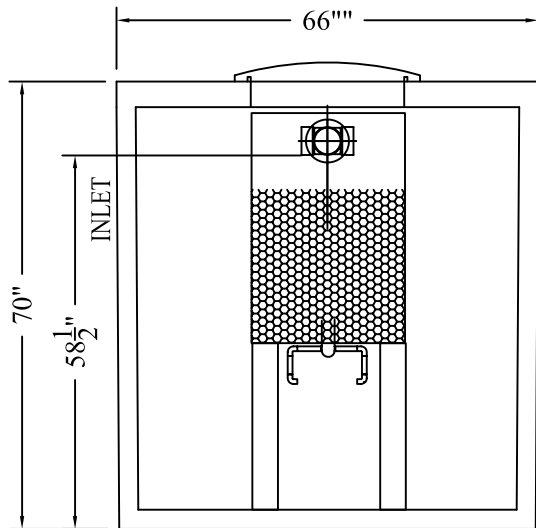
TOP VIEW



REACTOR TANK

TRASH TANK

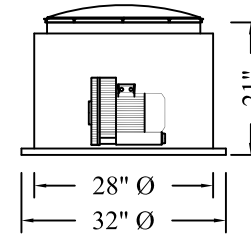
SIDE VIEW



END VIEW



ALARM PANEL



AIR BLOWER IN VAULT

ECOPOD MOD.# E50C-T2-2 (TYPE2)
 TREATING 416 I.GALS / DAY
 INSTALLED INTO A TWO CHAMBER
 1200 GALS. CONCRETE TANK

NOTE:
 TYPE 3 (T3) SYSTEMS HAVE ADDED
 SLUDGE RETURN AND UV LIGHT

<u>TOTAL VOLUME</u>		<u>PROJECT</u>	
LITERS:		ECOPOD MOD.# E50C-T2-2 (TYPE2)	
I.GALS:		TREATING 416 I.GALS / DAY	
LENGTH:		INSTALLED INTO A TWO CHAMBER	
METRIC:		1200 GALS. CONCRETE TANK	
IMPERIAL:			
DIA. / WIDTH:			
DRY WEIGHT:			
DATE:			
DRAWN BY:	REV No.	SCALE:	DWG REF.
L J			SHEET OF



**CANWEST TANKS &
 ECOLOGICAL SYSTEMS LTD.**
 www.canwest-tanks.com Tel: 604.580.3030