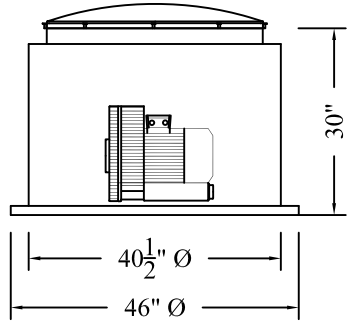
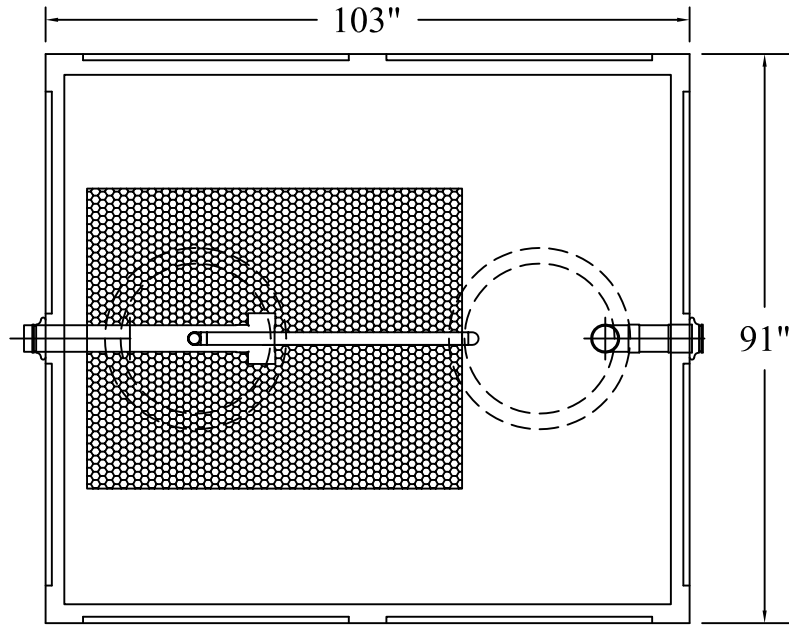


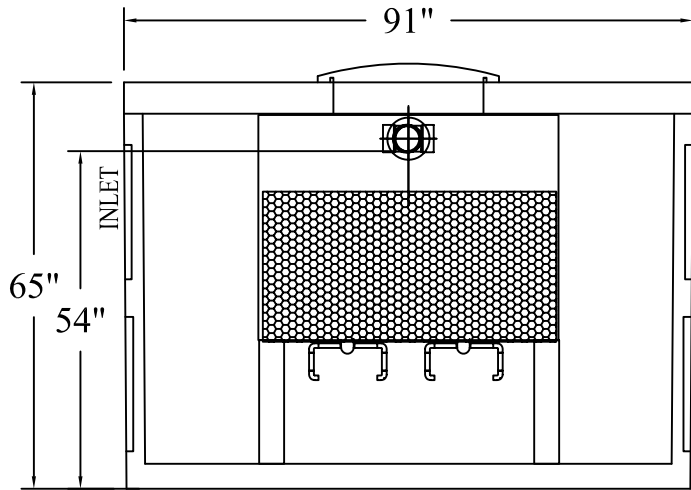
ALARM PANEL



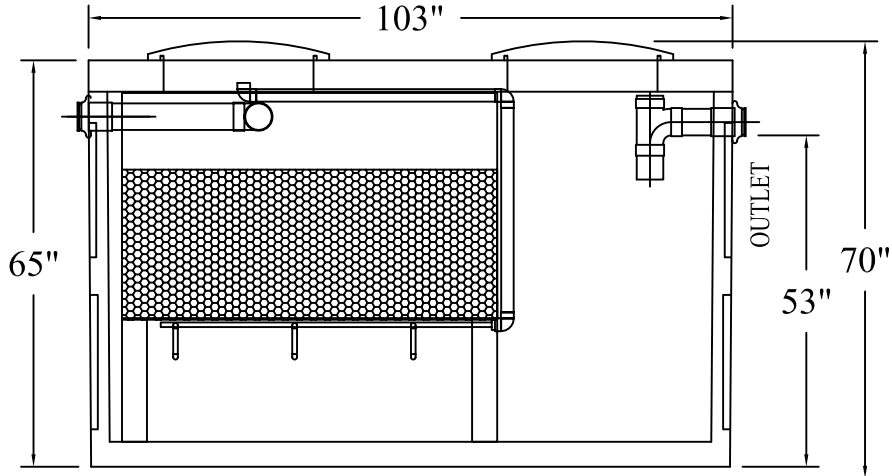
AIR BLOWER IN VAULT



TOP VIEW



END VIEW



SIDE VIEW

ECOPOD MOD.# E150C
 TREATING 1,250 I.GALS / DAY
 INSTALLED INTO A MANCO1200 CONCRETE TANK

NOTE:
 TYPE 3 (T3) SYSTEMS HAVE ADDED
 SLUDGE RETURN AND UV LIGHT

| | | | |
|------------------|---------|--------|----------|
| TOTAL VOLUME | PROJECT | | |
| LITERS: | | | |
| LGALS: | | | |
| LENGTH: | | | |
| METRIC: | | | |
| IMPERIAL: | | | |
| DIA. / WIDTH: | | | |
| DRY WEIGHT: | | | |
| DATE: | | | |
| DRAWN BY: L J | REV No. | SCALE: | DWG REF. |
| | | | SHEET OF |



CANWEST TANKS &
 ECOLOGICAL SYSTEMS LTD.
 www.canwest-tanks.com Tel: 604.580.3030