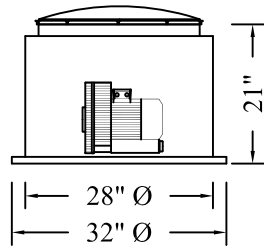
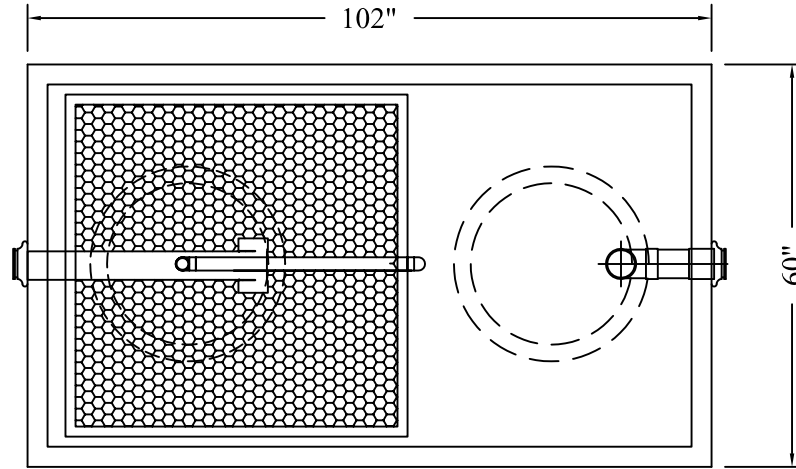




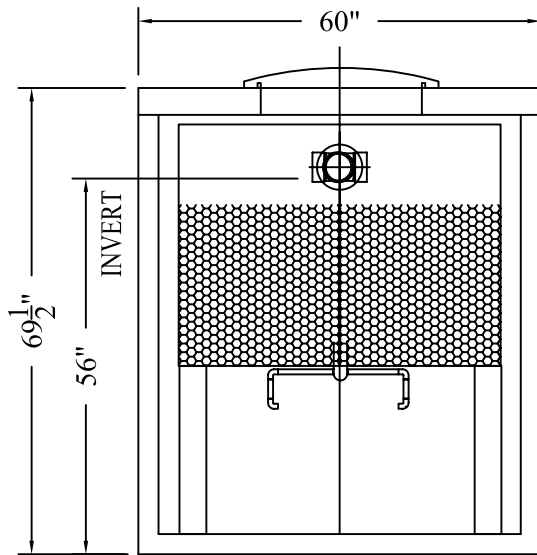
ALARM PANEL



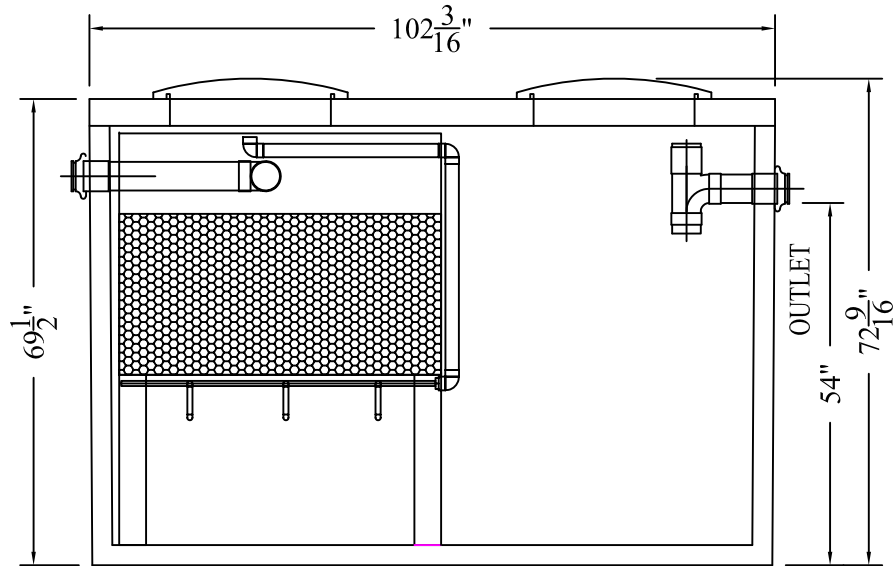
AIR BLOWER IN VAULT



TOP VIEW



END VIEW



SIDE VIEW

ECOPOD MOD.# E100C
TREATING 833 I.GALS / DAY
INSTALLED INTO A MANCO1000
CONCRETE TANK -

NOTE:
TYPE 3 (T3) SYSTEMS HAVE ADDED
SLUDGE RETURN AND UV LIGHT

TOTAL VOLUME	PROJECT		
LITERS:			
I.GALS:			
LENGTH:			
METRIC:			
IMPERIAL:			
DIA. / WIDTH:			
DRY WEIGHT:			
DATE:			
DRAWN BY: L J	REV No.	SCALE:	DWG REF.
			SHEET OF



CANWEST TANKS &
ECOLOGICAL SYSTEMS LTD.
www.canwest-tanks.com Tel: 604.580.3030