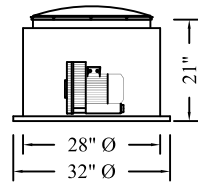
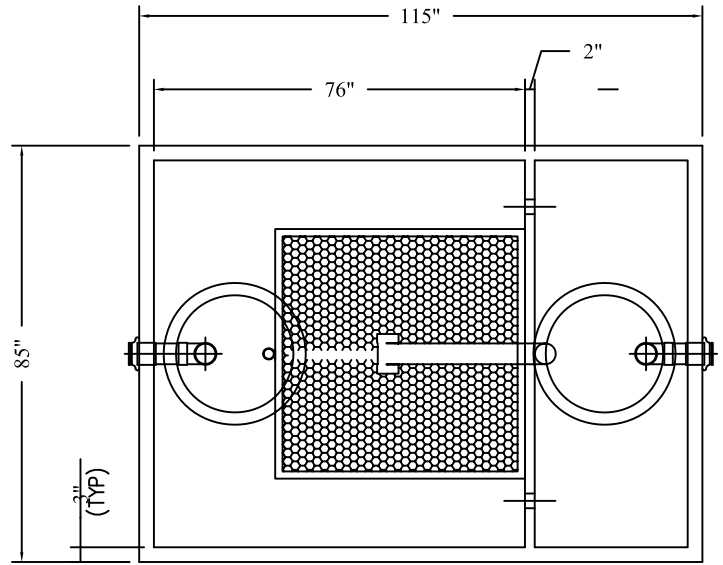




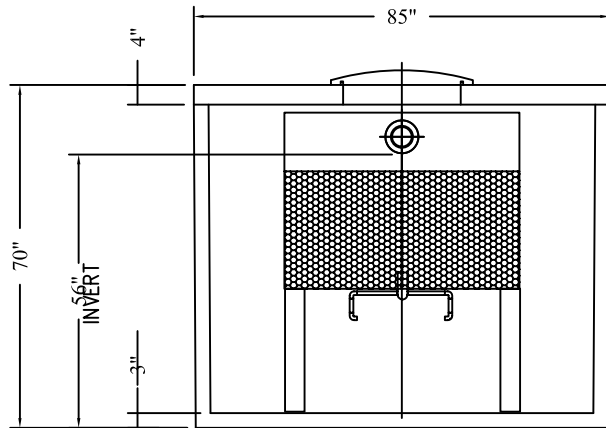
ALARM PANEL



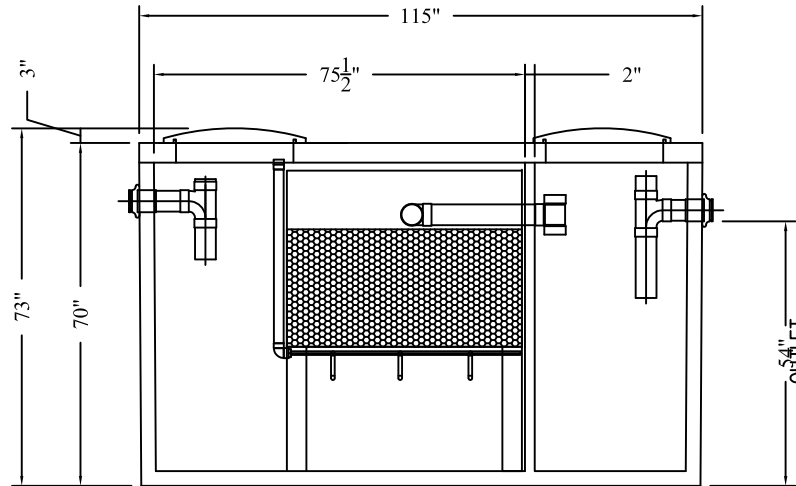
AIR BLOWER IN VAULT



REACTOR TANK TRASH TANK
TOP VIEW



END VIEW



SIDE VIEW

ECOPOD MOD.# E100C
TREATING 833 L.GALS / DAY
INSTALLED INTO A MANCO1600/2
CONCRETE TANK -

NOTE:
TYPE 3 (T3) SYSTEMS HAVE ADDED
SLUDGE RETURN AND UV LIGHT

| | | | |
|------------------|---------|--------|----------|
| TOTAL VOLUME | PROJECT | | |
| LITERS: | | | |
| L.GALS: | | | |
| LENGTH: | | | |
| METRIC: | | | |
| IMPERIAL: | | | |
| DIA. / WIDTH: | | | |
| DRY WEIGHT: | | | |
| DATE: | | | |
| DRAWN BY: L J | REV No. | SCALE: | DWG REF. |
| | | | SHEET OF |



CANWEST TANKS &
ECOLOGICAL SYSTEMS LTD.
www.canwest-tanks.com Tel: 604.580.3030