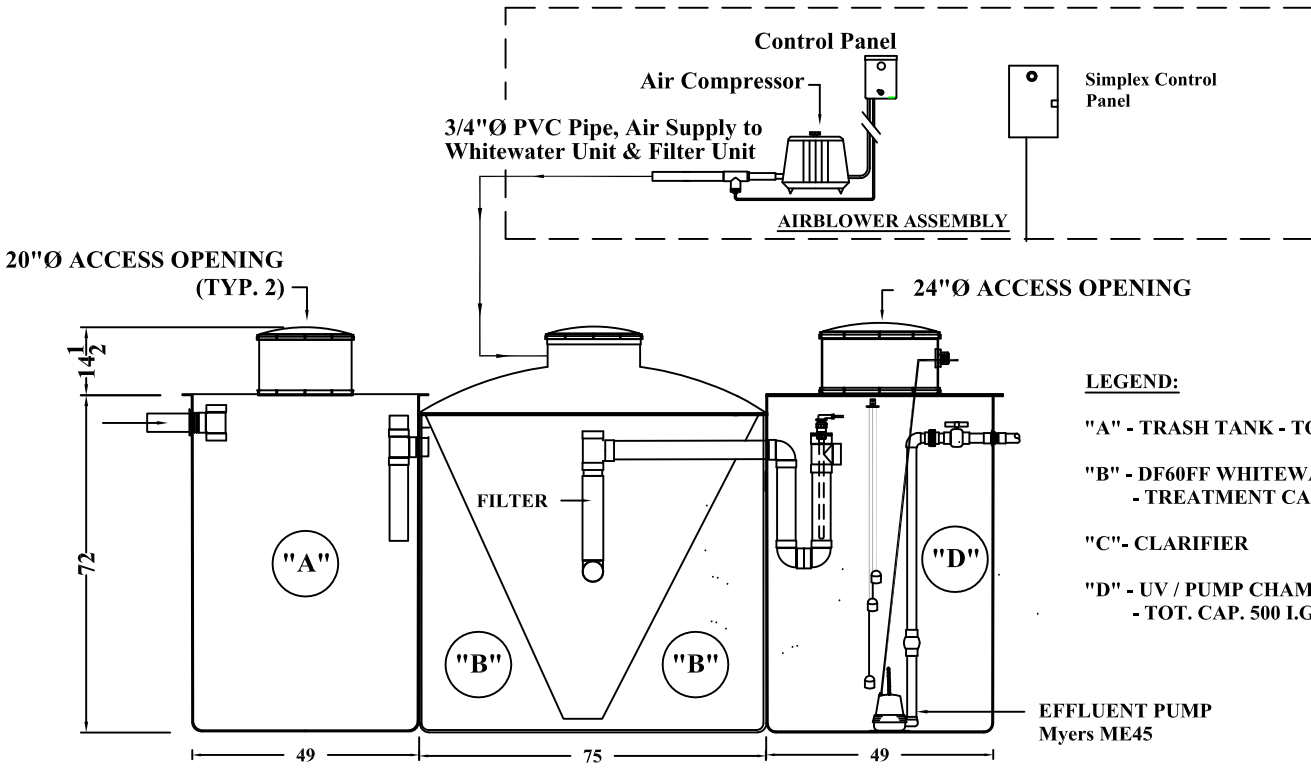


PLAN VIEW



ELEVATION VIEW - SECTION

- LEGEND:**
- "A" - TRASH TANK - TOT. CAP. 500 LGALS
 - "B" - DF60FF WHITEWATER PLANT
- TREATMENT CAP. 500 LGALS. / DAY
 - "C" - CLARIFIER
 - "D" - UV / PUMP CHAMBER
- TOT. CAP. 500 LGALS

Canwest Tanks & Ecological Systems Ltd.
 11975 Old Yale Road Tel.: (604) 580-3030
 Surrey, B.C. V3V 3X4 Fax: (604) 580-1171
 Canada E-Mail: canwest@direct.ca

This drawing is loaned "as is" for purpose of information only and is the sole property of Canwest Tanks & Ecological Systems Ltd.

**DF60T3-COMBO
 WHITEWATER S.T.P.
 TYPE3 SYSTEM**

Dwg. No.		Drawn: Leif J.	of
Scale:	Date:	Rev.	