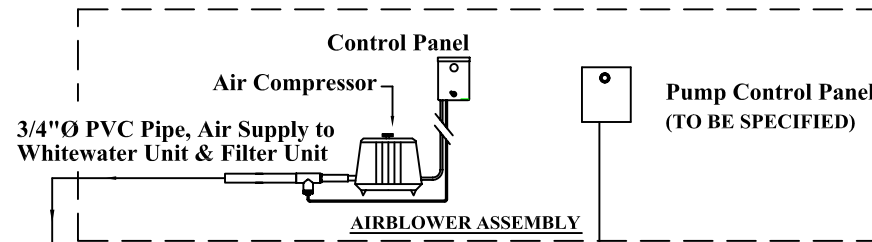
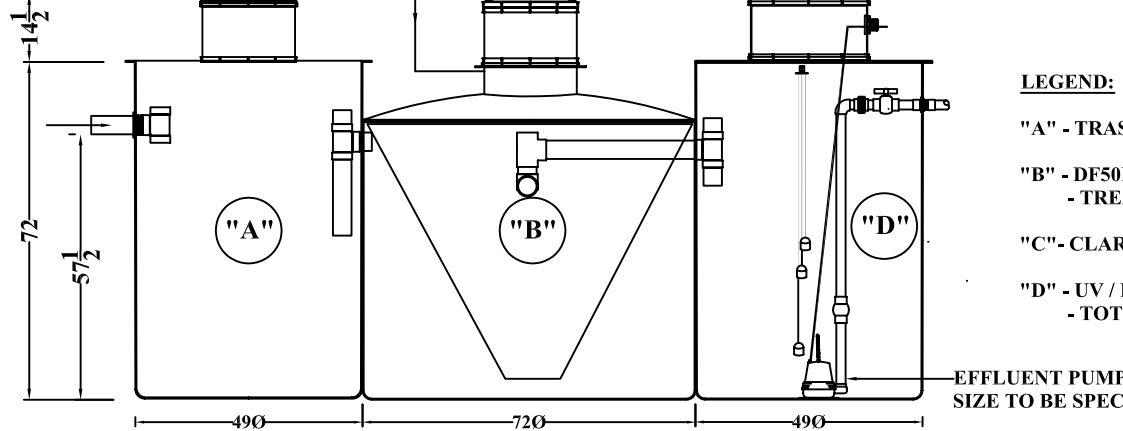


PLAN VIEW



20"Ø ACCESS OPENING
(TYP. 2)



LEGEND:

- "A" - TRASH TANK - TOT. CAP. 500 LGALS
- "B" - DF50FF WHITEWATER PLANT
- TREATMENT CAP. 416 LGALS. / DAY
- "C" - CLARIFIER -TOT. CAP - 265 .LGALS
- "D" - UV / PUMP CHAMBER
- TOT. CAP. 500 LGALS

EFFLUENT PUMP
SIZE TO BE SPECIFIED

ELEVATION VIEW - SECTION



**Canwest Tanks &
Ecological Systems Ltd.**

11975 Old Yale Road Tel.: (604) 580-3030
Surrey, B.C. V3V 3X4 Fax: (604) 580-1171
Canada E-Mail: canwest@direct.ca

This drawing is loaned "as is" for purpose of information only and is the sole property of Canwest Tanks & Ecological Systems Ltd.

**WHITEWATER
DF50FF-TYPE II - COMBO
GENERAL ARRANGEMENT**

Dwg. No.

Scale:
1:1

Date:
OCT. /08

Drawn:
Leif J.

Rev.

of