

**WHITEWATER SEWAGE TREATMENT PLANT
MODEL No. DF150FF**

Volumetric Capacity

10.91 cu. m. (2,400 imp. Gals.)

Operating Conditions

5.67 cu.m. (1,250 imp. Gals.)
per day ADF

Aeration Chamber

8.0 cu.m. (1,770 imp gals)
min. 24 hrs. hydraulic detention time

Clarifier

2.86 cu.m. (630 imp. gals)
8 hrs. hydraulic detention time
at ADF rate

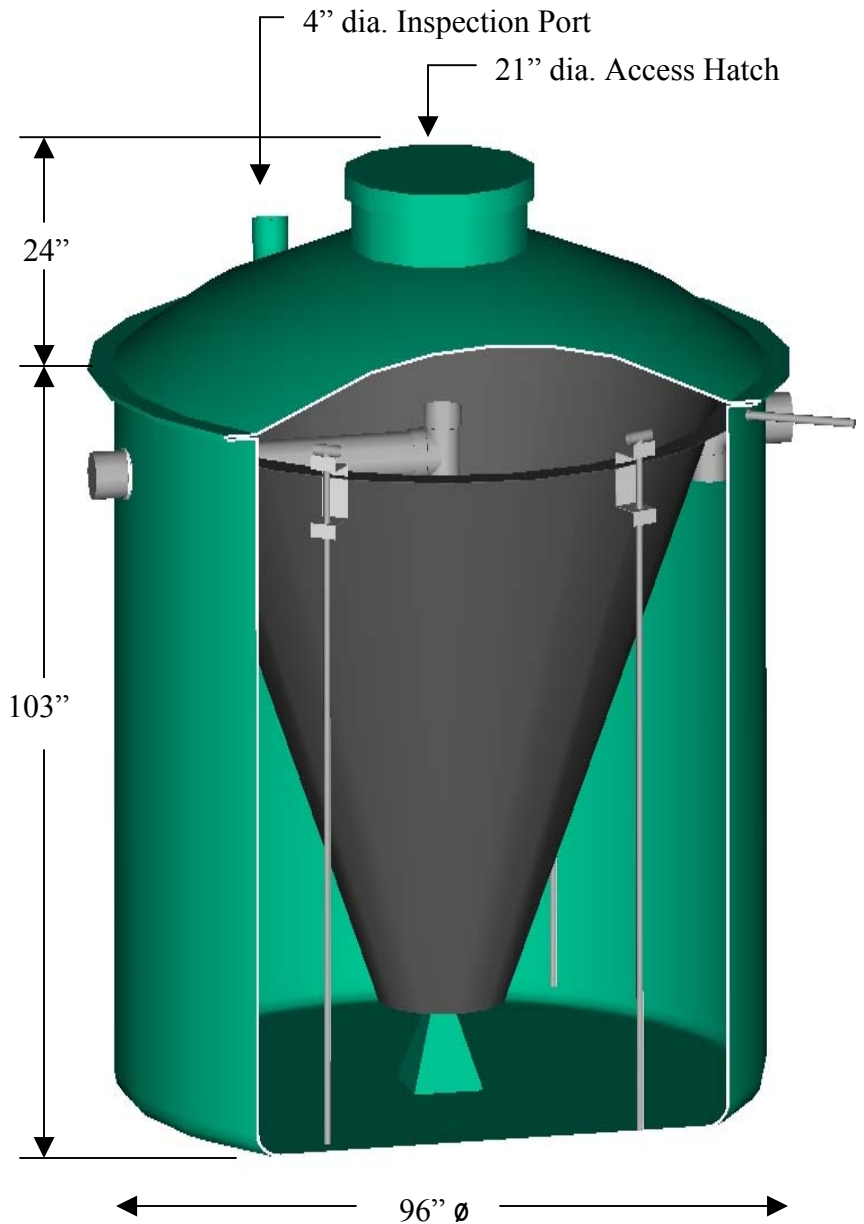
1.2 cu.m. (264 imp. Gals.)
stored treated effluent
ready for discharge.

Aeration Blower / Compressor

59.47 cu. m. (2100 cu. ft.) per kg. (lbs.)
of BOD₅ influent.

Influent quality of domestic sewage

BOD	250 mg./L
SS	250 mg./L.
Fats, Oils, Grease	10 mg /L

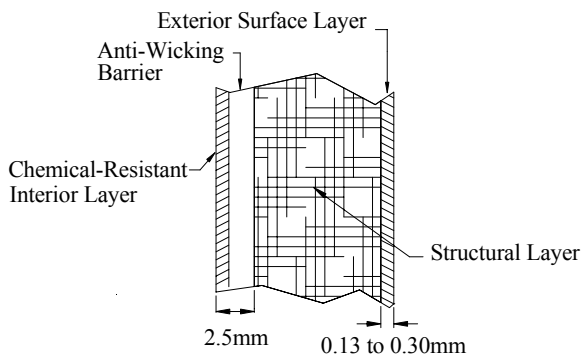


Elevations— inlet (4" Ø PVC)—outlet (4" Ø PVC)

Invert of inlet, elevation – 98.50 in.

Invert of outlet, elevation – 95.50 in.

Air Blower to be linear type, placed in a weather proof,
ventilated enclosure, (crawl space, garage etc.).
Maximum 100 feet from the Whitewater Treatment Plant.



Wall Construction Detail
N.T.S.