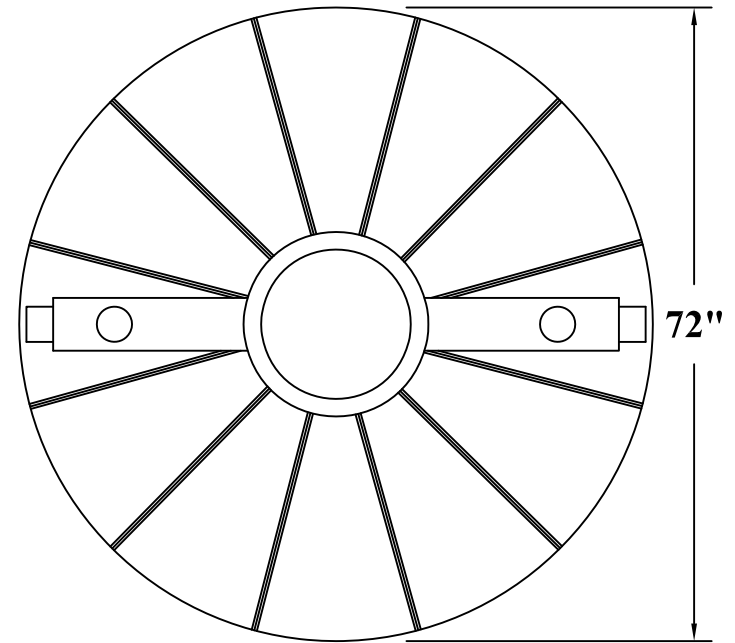


ELEVATION



PLAN VIEW

WORKING CAPACITY:

IMP. GAL.= 610

US. GAL.= 720

LITERS.= 2,727

MINISTRY OF HEALTH APPROVAL No. 202

FOR BURIAL INSTRUCTIONS REFER TO FACTORY.



**Canwest Tanks &
Ecological Systems Ltd.**

11975 Old Yale Road Tel.: (604) 580-3030
 Surrey, B.C. V3V 3X4 Fax: (604) 580-1171
 Canada E-Mail: canwest@direct.ca

This drawing is loaned "as is" for purpose of information only and is the sole property of Canwest Tanks & Ecological Systems Ltd.

**HDLPE POLYETHYLENE
SEPTIC TANK**

MODEL No. RKS600

Dwg. No.

Scale:

Date:

**Drawn:
Leif J.**

Rev.

of