

POLYETHYLENE HDLPE STORAGE TANK

MODEL No. RK600

CAPACITY:

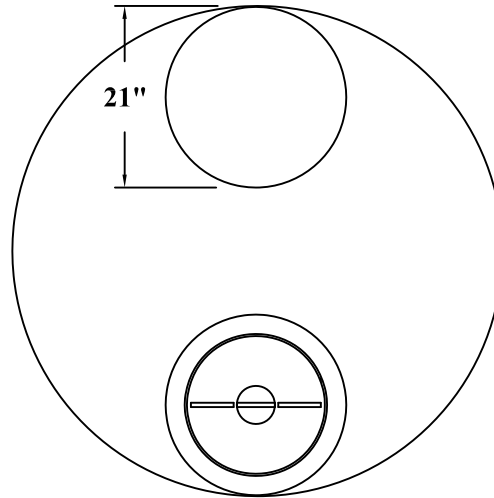
Imp.Gal. = 600

US.Gal. = 720

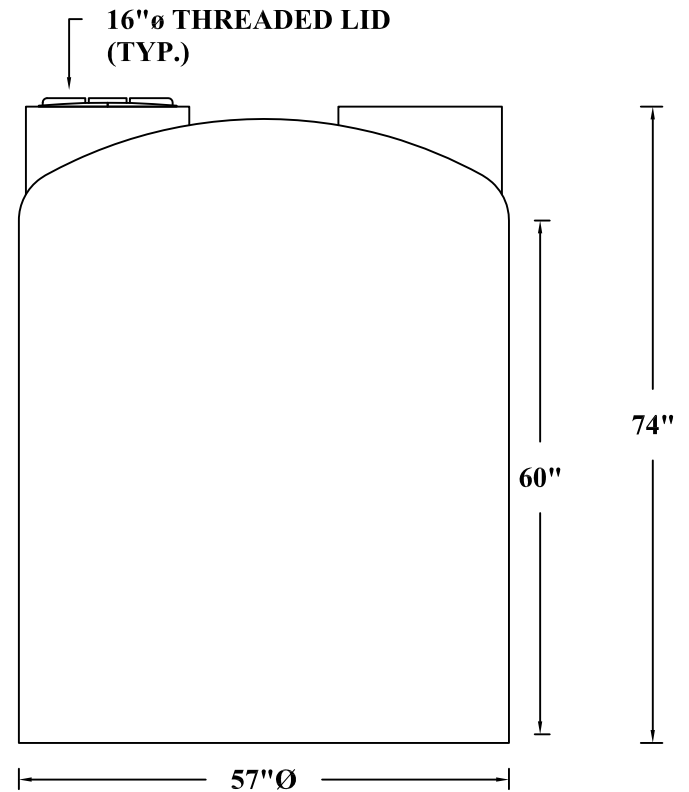
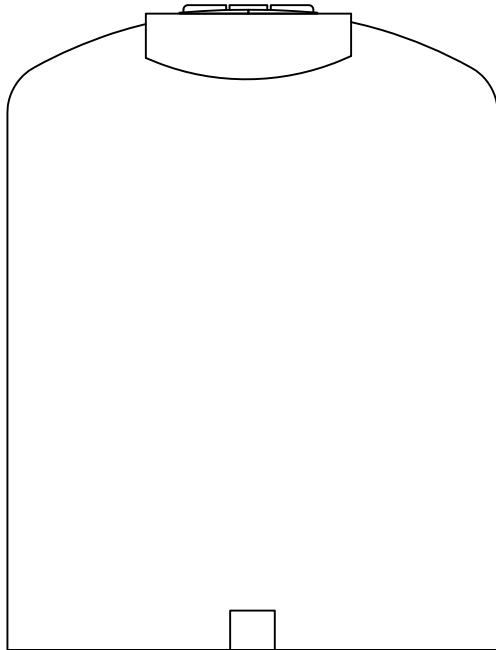
Liters. = 2,727

NOTE:

**FITTINGS TO BE PLACED AS
AS REQUIRED**



PLAN VIEW



ELEVATION VIEWS

		CANWEST TANKS & ECOLOGICAL SYSTEMS LTD.		
DATE:		www.canwest-tanks.com Tel: 604.580.3030		
DRAWN BY: L J	REV No.	SCALE:	DWG REF.:	SHEET OF