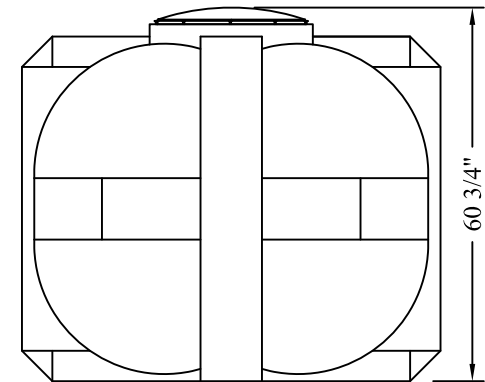
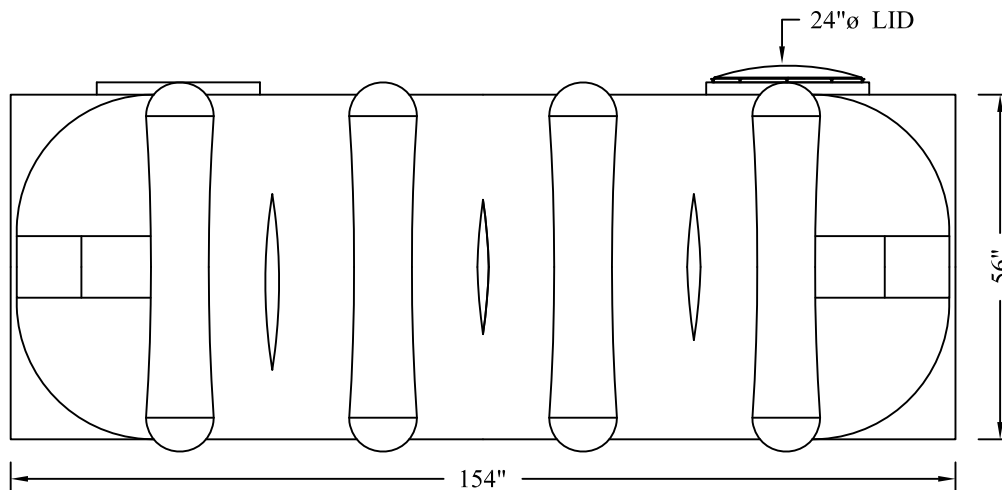


TOP VIEW




END VIEW



SIDE VIEW

MOD. # RKP1550LP

VOLUME CAP.:1550 I.GALS  
1860 US.GALS  
7046 L.

NOTES:	<u>PROJECT</u>		
	MODEL No. RKP1550LP LOW PROFILE PUMP CHAMBER		
TOTAL VOLUME	 <b>CANWEST TANKS &amp; ECOLOGICAL SYSTEMS LTD.</b> <a href="http://www.canwest-tanks.com">www.canwest-tanks.com</a>		
LITERS:			
I.GALS:			
LENGHT	REV No.	SCALE:	SHEET OF
METRIC (mm):			
IMPERIAL:			
DATE:			DWG REF.
DRAWN BY: L J			