

HDPLE POLYETHYLENE TANK

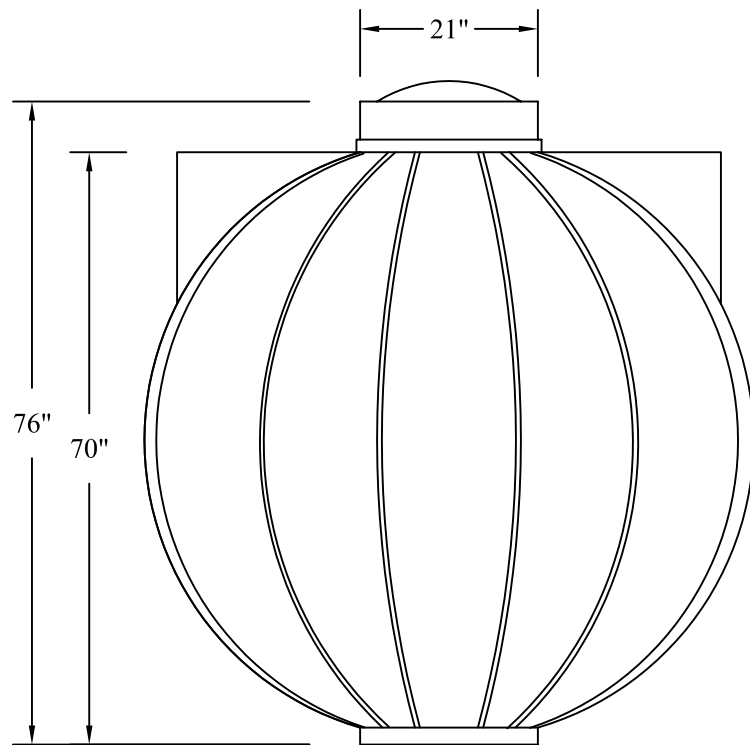
MODEL RKC700

CAPACITY:

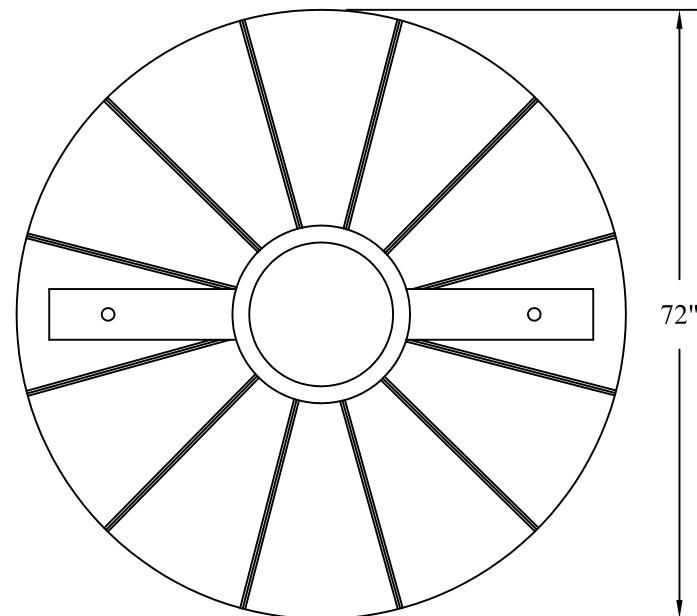
IMP. GAL.= 700

US. GAL.= 840

LITERS = 3,182



ELEVATION



PLAN VIEW

NOTES:

1. TANK IS FOR IN- GROUND APPLICATIONS ONLY - MAX. 2 ft. EARTH COVER
2. FITTINGS TO BE PLACED AS SPECIFIED BY END USER
3. FOR BURIAL INSTRUCTIONS PLEASE REFER TO FACTORY BURIAL GUIDE



**Canwest Tanks &
Ecological Systems Ltd.**

11975 Old Yale Road Tel.: (604) 580-3030
Surrey, B.C. V3V 3X4 Fax: (604) 580-1171
Canada E-Mail: canwest@direct.ca

This drawing is loaned "as is" for purpose of information only and is the sole property of Canwest Tanks & Ecological Systems Ltd.

HDLPE POLYETHYLENE TANK
MODEL RKC700

Dwg. No.

Scale:
N.T.S.

Date:
JAN/06

Drawn:
Leif J.
Rev.

of