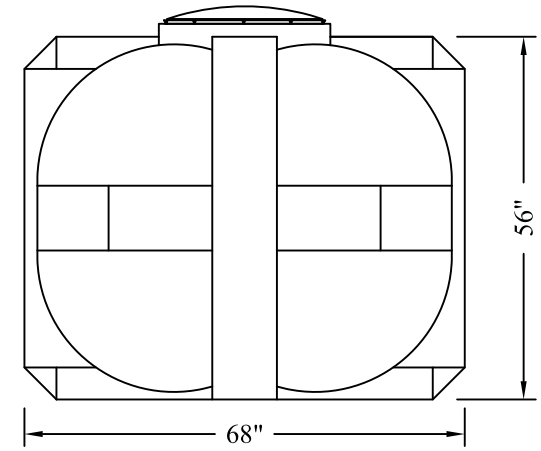
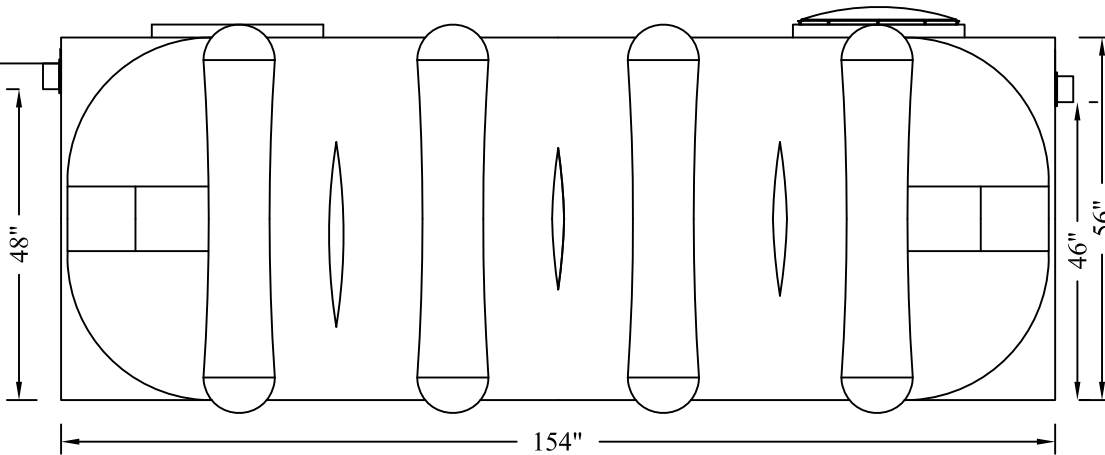


TOP VIEW




END VIEW



SIDE VIEW

MODEL No. RKS1350LP
 VOL. CAP. - 1,350 IGALS
 1,620 USGALS
 6,137 LITERS

NOTES:	<u>PROJECT</u>			
	MODEL No. RKS1350LP SINGLE CHAMBER LOW PROFILE SEPTIC TANK			
TOTAL VOLUME LITERS:				
IGALS:				
LENGTH METRIC (mm):	 CANWEST TANKS & ECOLOGICAL SYSTEMS LTD. www.canwest-tanks.com			
IMPERIAL:				
DATE:	REV No.	SCALE:	SHEET OF	DWG REF.
DRAWN BY: L J				