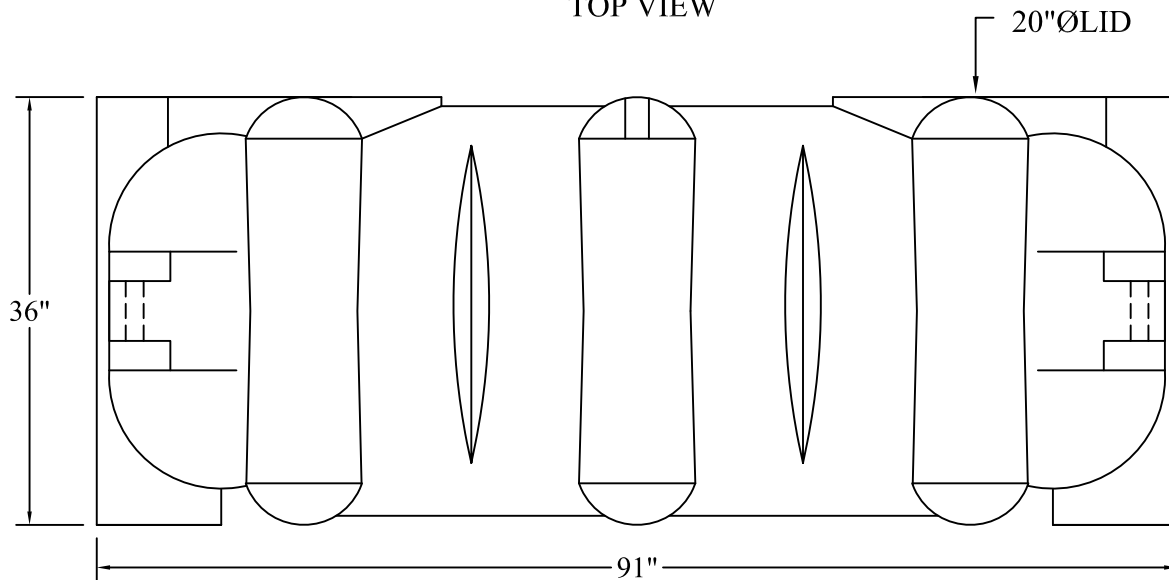
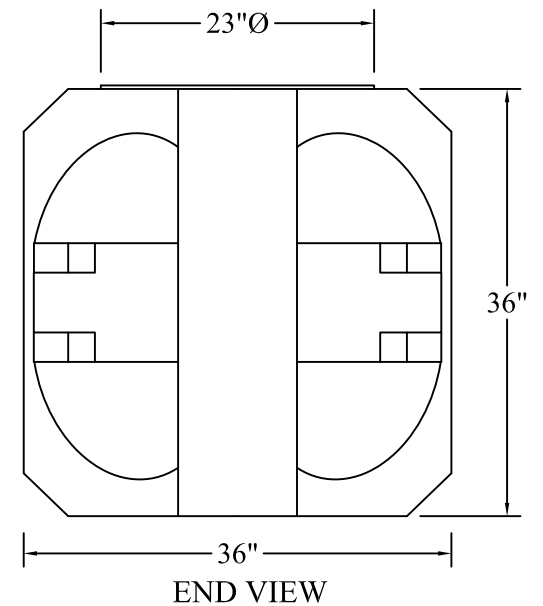


TOP VIEW



ELEVATION VIEW

MODEL RKP300LP  
 LOW PROFILE U.G. STORAGE TANK  
 VOL. CAP. - 300 I.GALS  
 MADE FROM HDLPE POLYETHYLNE



END VIEW

NOTES:	PROJECT			
TOTAL VOLUME LITERS: I.GALS:				
LENGTH METRIC (mm): IMPERIAL:				
DATE: DRAWN BY: L J	REV No.	SCALE:	SHEET OF	DWG REF.



**CANWEST TANKS &  
 ECOLOGICAL SYSTEMS LTD.**  
 www.canwest-tanks.com